



ROLL-A-GLIDE® INSULATED ROLLER DOOR



The **Gliderol Roll-A-Glide Insulated Roller Door** is a high performance garage door manufactured from aluminium foam filled laths designed to provide thermal and acoustic insulation together with security. Gliderol Roll-A-Glide Insulated Roller Doors are supplied with the benefits of automatic opening as standard.

GLIDEROL GARAGE DOORS

A Division of Gliderol
International Ltd

Gliderol Garage and
Industrial Doors Limited
Davy Drive
North West Industrial
Estate
Peterlee
County Durham
SR8 2JF
Tel: 0191 518 0455
Fax: 0191 518 0548
info@gliderol.co.uk

www.gliderol.co.uk

February 2011



Insulation

Interlocking 77mm twin walled aluminium sections containing a CFC-free insulating foam provide your door with strength, durability and insulation properties. With space at a premium, this enables your garage to be used as an extra room.

Security

Strength is inherent in the construction of the Gliderol Roll-A-Glide Insulated Roller door. Locking is actively engaged by the anti-lift geometry locking straps when the door is closed.

Automation

Somfy motor with control box

Powered by Somfy and with an impressive 5 year warranty*, remote control operation is virtually silent and is exceptionally smooth. Rolling code technology ensures that security is paramount with a unique code generated each time the handset is activated. A wall mounted control box allows operation from inside the garage, whilst a compact handset allows activation of your door from outside your garage or inside your vehicle. For safety and convenience an automatic light illuminates your garage for up to five minutes each time the door is operated.

*Conditions apply



Wall mounted control box

Safety

All Gliderol Roll-A-Glide doors are supplied with a bottom rail safety edge, internal manual release and alarm as standard. The Roll-A-Glide Insulated Automatic Roller door is equipped with an auto reverse safety mechanism, if the door detects an obstruction it will stop, reverse momentarily and then stop again. A safety break is standard on all doors over 9m².

Manual Override

In the event of power failure a manual winding handle ensures that the door can be opened from inside the garage. An external manual release is also available, as an optional extra. This manual release is compulsory for garages where an alternative entry point is not available unless there is a battery back-up installed. A lockable override cover can be supplied for externally installed doors.

Headroom and Side Room

Standard door has 270mm steel head plates for doors within 9m² & 300mm steel head plates for all other sized doors. (either not suitable if box required). If half or full box is required 300mm aluminium head plates are standard with either 70mm or 90mm guides. The Gliderol Roll-A-Glide Insulated Roller door may be installed either within the opening if side room is limited or behind the opening, allowing drive through access of the full opening width of the garage. Gliderol insulated roller doors fit any shape or size of garage doorway, top or arched openings. 70mm guides are supplied for doors up to 9m², doors over 9m² supplied with 90mm guides.

Space Saving

As with the Gliderol single skin roller door the Roll-A-Glide Insulated Roller door opens vertically with no kick out making it ideal for a short driveway and to maximise the space within your garage as your vehicle can be placed right up against the door. Inside the garage the door rolls up tightly and neatly above the lintel, allowing you to additionally utilise all the roof space in your garage and maximise drive through height for taller vehicles.



Finish

Manufactured from corrosion-resistant aluminium the Gliderol Roll-A-Glide Insulated Roller door is available in a choice of standard colours or high grade laminate woodgrain finishes. The low maintenance durable finish requires only an occasional wipe with a cloth and mild soapy water.

Housing Cover (Optional extra)

The Roll-A-Glide Insulated Roller door can be supplied with matching housing cover which fully covers the rolling mechanism (brown supplied with laminate finishes). 300mm aluminium head plates are supplied if box is required (with either 70mm or 90mm guides).

Guarantees

Gliderol provide a comprehensive 2 year guarantee on all manufactured parts, a 5 year manufacturer's warranty on the motor and a limited 10 year guarantee on the door finish (slight rubbing may appear on the lath surface).

Optional Extras

Handset – additional handsets are available (2 are supplied as standard).

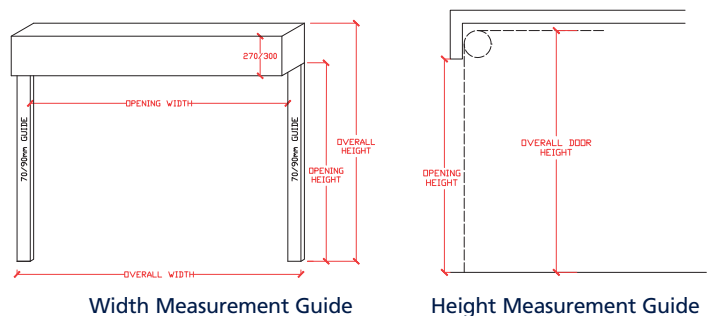
Wireless key switch – externally mounted security switch with three keys.

Wireless key pad – available in standard and anti-vandal providing versatility for location.

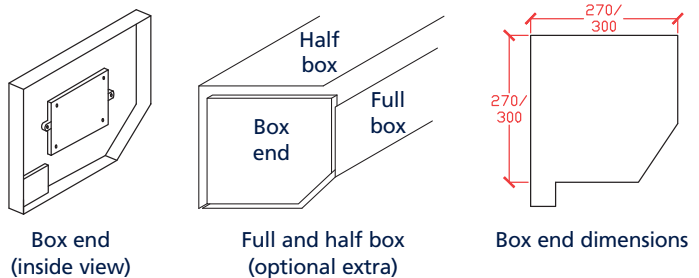
Electric photo cell – type D safety device in accordance with BS EN 12453. If the zone in the door's path detects an obstruction it will stop, reverse momentarily and then stop again.

Battery Back-up – provides complete peace of mind by keeping the door operational in case of power failure. It also removes the necessity for an external manual release where there is no alternative access point into the garage.

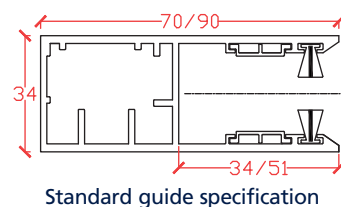
Specifications



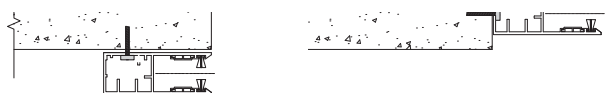
Please note that some of the bottom rail will be visible below the top of the opening when door is in the open position.



Full and half boxes are available to match painted coloured door curtains. Vandyke brown boxes are supplied as standard for laminated door curtains.



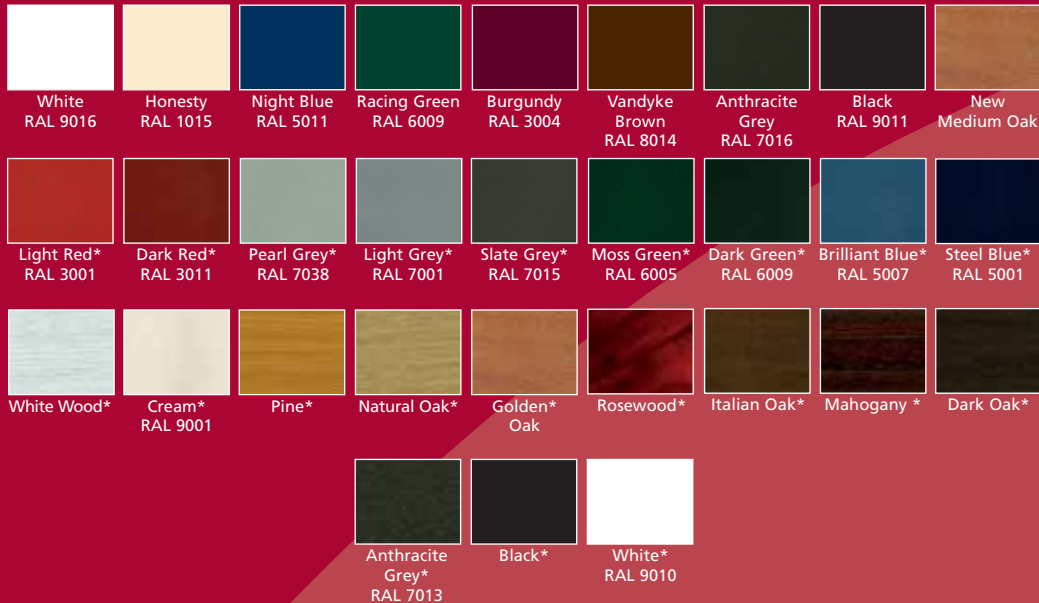
Guides are available in colours matching the door curtain except laminated door colours (supplied with brown). Coloured guide rails are supplied as standard, however they may not match the slat colour. The manufacturing process for the slat profile results in a textured finish, whilst all other coloured items (guides, bottom slats, optional facias and vision panels) are supplied in a satin finish so we cannot guarantee an exact match.



Fixing behind the opening Fixing between the opening

Available in a wide range of colours, including Golden Oak, Rosewood, Mahogany Woodgrain and White, designed to match with the latest generation window finishes. A Gliderol Roll-A-Glide Insulated Roller Door is an attractive complement to any garage.

Available colours are:



* Laminate Finish

The accuracy of the colours displayed here can not be guaranteed and may vary slightly.



Gliderol Garage and Industrial Doors Limited
Davy Drive
North West Industrial Estate
Peterlee
Co Durham
SR8 2JF
Tel: 0191 5180455
Fax: 0191 5180548

Head Office

AUSTRALIA

Gliderol Garage Doors
32 Jacobsen Crescent
Holden Hill, 5088
South Australia
Phone: +61 8 82619633
Fax: + 61 8 82664712

NEW ZEALAND

Gliderol Garage Doors NZ Ltd
12 Cape Hill Road
Pukekohe
Phone: +64 9 835 0211
Fax: +64 9 237 0440

SOUTH AFRICA

Gliderol Garage Door South Africa
2a President Street
Roodepoort
Gauteng 1734
South Africa
Phone: +27 11 768 6021/2/3
Fax: +27 11 786 6025

SINGAPORE

Gliderol Doors Pty Ltd
No 86 International Road
Singapore 629176
Phone: +656 2666668
Fax: +656 2666866

SAUDI ARABIA

Al-Moosa Garage Doors
Al Hassa, Dhahran Street
PO Box 10070 Pin Code 31982

BAHRAIN

Abbas Biljeek & Sons
PO Box 308
Manama, Bahrain
Phone: +973 17401 555
Fax: +973 401 333

UNITED ARAB EMIRATES

Gliderol International (ME) FZC
Gliderol Doors LLC
231955, Warehouse No. 3
Damascus Street, Ousajs 1