

**NEW**

**Hand transmitter HSE 2 BS in 7 colours and 6 decors**



# Garage Door and Entrance Gate Operators

Compatible operator solutions from Europe's no. 1







Hörmann brand quality	4
Hörmann BiSecur radio system	6
Garage door operator quality features	10
Garage door operator SupraMatic	12
Garage door operator ProMatic	14
Automatic door locking	16
Entrance gate operator quality features	18
Hinged gate operator RotaMatic	20
Hinged gate operator DTU 250	22
Hinged gate operator DTH 700	23
Sliding gate operator LineaMatic	24
Sliding gate operator STA 400	25
Accessories	26
Dimensions and fitting data	38
Programme overview	47

For more information on garage door and entrance gate operators and other high-quality Hörmann products, visit [www.hoermann.com](http://www.hoermann.com).

Some of the doors shown are equipped with optional extras and do not always correspond to our standard models.

The surface finishes and colours shown are subject to the limitations of the printing process and cannot be regarded as binding.

All rights reserved. No part may be reproduced without our prior permission. Subject to changes.

# Hörmann brand quality

Reliable and oriented towards the future



**“A good reputation must be earned.”** (August Hörmann)

In line with the founder’s philosophy, the Hörmann brand today is a true promise of quality. The family-owned company has over 75 years of experience in door and operator construction and, with sales of over 20 million doors, is no. 1 in Europe. This makes a Hörmann operator a reassuring purchase.



**Made in Germany**



## German quality

All doors and operator components are developed and manufactured by Hörmann, are perfectly matched to each other and tested and certified by independent, recognised institutes to ensure your safety. They are manufactured in Germany according to the DIN ISO 9001 quality management system and fulfil all the requirements of European standard 13241-1. Our highly qualified employees work intensively on new products, continual further developments and improvement to details. Patents and unique products on the market are the result of this.



## Door operators for generations

Endurance tests under real conditions ensure mature series products with Hörmann quality. Thanks to this, as well as excellent technical solutions and uncompromising quality assurance, you receive a 5-year warranty on all Hörmann garage door and entrance gate operators.



## An eye on the future

Hörmann is setting a good example. This is why, from 2013 onwards, the company will obtain up to 40% of its required energy from green sources and will continue to increase this percentage. At the same time, many tonnes of CO<sub>2</sub> are saved each year thanks to the introduction of an intelligent and certified energy management system. And last but not least, Hörmann also offers products for sustainable construction.

\* The complete warranty conditions can be found at: [www.hoermann.com](http://www.hoermann.com)

# Hörmann BiSecur

The modern radio system  
for garage door and entrance gate operators



## Convenient and safe with bi-directional radio technology

Our bi-directional, high-security BiSecur radio system is based on future-oriented technology that allows you to conveniently and safely operate garage doors, entrance gates, lights and much more. Functions are operated using exclusive hand transmitters. Inquiry of the door position is an especially convenient feature: you can see if your door is open or closed at the press of a button.

**Especially secure and certified  
by the Ruhr University Bochum**



PATENT PENDING



## Certified security with a stable and interference-free range

The newly developed, extremely secure BiSecur encryption protocol makes sure that no-one can copy your radio signal. It was tested and certified by security experts at Bochum University.

## 128-bit encryption

Benefit from the same high security level as in online banking.



reddot design award  
honourable mention 2011

## Innovative technology in an elegant package

The new, exclusive BiSecur hand transmitters are set apart by a black or white high-gloss surface in a piano lacquer look, as well as by an elegant shape that fits easily in the palm of your hand. Chrome caps create accents, completing the high-quality look.

Hörmann's BiSecur hand transmitters have been awarded a design prize by an international jury.



Take a look at the video at:  
[www.hoermann.com/videos](http://www.hoermann.com/videos)



A complete overview of BiSecur hand transmitters can be found starting on page 26.

# Convenient inquiry of the door position

Convenient and safe with bi-directional radio technology



You no longer have to go out in all kinds of weather to check that your garage door is closed. At the press of a button, the colour of the LED on the HS 5 BS hand transmitter indicates the position of the door. Press the button\* again to close the door.

\* An additional photocell is required for operation without visual contact to the door.





PATENT PENDING

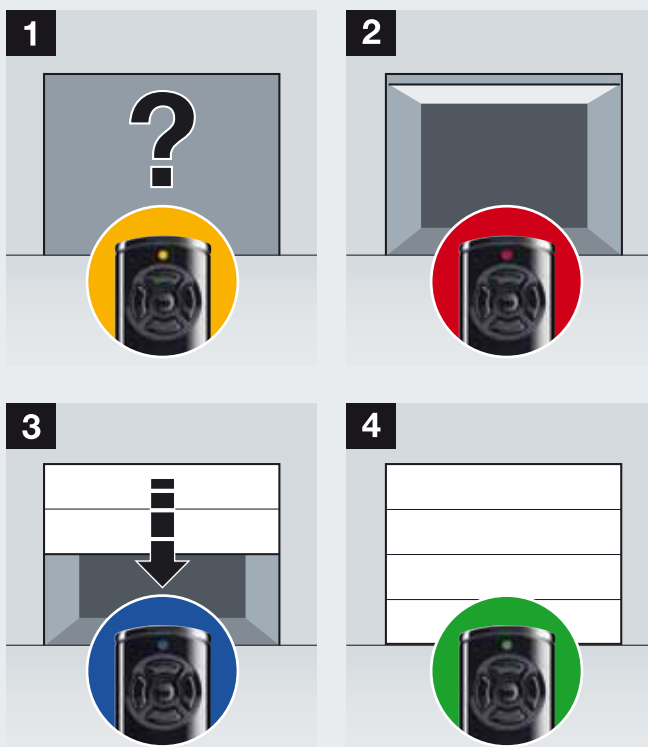


**With the HS 5 BS hand transmitter, you can check whether your door is closed at the press of a button.**

- As standard with garage door operator SupraMatic
- Optional for garage door operator ProMatic
- Optional for entrance gate operators RotaMatic and LineaMatic // **NEW** from July 2013



Take a look at the video at:  
[www.hoermann.com/videos](http://www.hoermann.com/videos)



### Inquiry of the door position

**1** To check whether the door is closed, press the inquiry button on the HS 5 BS and then press the function button to open the door. The LED is illuminated in orange.

### Door position reporting

**2** The LED will flash in red if the door is still open. A closed door is indicated by a green LED.

### Convenient closing with automatic door position reporting

**3** You can close your door by pressing the function button once more. **Note:** An additional photocell is required if the door is not within view.

**4** The green LED then indicates that your door is closed.

# Good reasons to try Hörmann

## Garage door operator quality features



# 1

## Safe

# 2

## Reliable



### Only from Hörmann

#### Anti-lift kit

Burglars have a tough time when it comes to Hörmann automatic garage doors: When the garage door is closed, the anti-lift kit automatically engages in the guide rail stop, immediately locking and securing it against forced opening. This lock is purely mechanical and, in contrast to operators from other manufacturers, effective even in the event of a power failure.



Take a look at the video at:  
[www.hoermann.com/videos](http://www.hoermann.com/videos)



#### Automatic cut-out

The reliable automatic safety cut-out securely stops the door if it encounters an obstacle. For even more protection and safety, we recommend fitting a non-contact photocell. This is a standard feature in the Hörmann SupraMatic P operator.

#### Soft start and soft stop

Your door opens and closes quietly and smoothly. The start and stop phases can be individually set for your garage door. This protects your garage door, allowing you to enjoy it for years to come.



**Tested safety**

Hörmann garage door operators are perfectly matched to the sectional garage doors and have been tested and certified by TÜV Nord in accordance with the TTZ directive "Break-in resistance for garage doors".



# 3 Super-fast



**SupraMatic operator**

You can enter faster and more safely with the SupraMatic operator when combined with a Hörmann sectional garage door. An opening speed up to 50% faster means more safety and less stress on high-traffic streets. Compare the opening speed of the SupraMatic operator with conventional operators.



Take a look at the video at: [www.hoermann.com/videos](http://www.hoermann.com/videos)



# Garage door operator SupraMatic

The supra-fast operator with an array of additional functions



SupraMatic  
as standard with  
a black HS 5 BS  
hand transmitter

With the combination of speed and convenience, your garage door opens faster, allowing quicker access from the street into your garage. The SupraMatic has many added functions, such as being able to switch the lighting on and off with your hand transmitter and the convenient option of an additional opening height to ventilate your garage. An operator cover made of brushed aluminium also provides the SupraMatic with a very elegant appearance.

## Low power consumption costing only around € 3 per year\*\*



### Convenient inquiry of the door position

You can use the standard HS 5 BS hand transmitter at any time to check that your garage door is closed.



### Faster door opening

An up to 50% faster opening speed gets you from the street into your garage sooner.



### Additional opening setting

With an adjustable opening option, you can ventilate your garage without completely opening the door.



### Halogen lighting can be switched on / off separately

The operator lighting can be switched on and off separately, via your hand transmitter or the IT 3b optional internal push-button unit. Optionally available as an LED reflector lamp.



### Easy-to-use programming

All of the operator functions can be set very easily by entering a two-digit number.



### High security

The standard EL 101 photocell for the SupraMatic P immediately detects persons and objects. Families with children especially appreciate this level of safety.

### SupraMatic E

Pull and push force: 650 N  
Peak force: 800 N  
Opening speed: max. 22 cm/s  
Door width: up to 5500 mm  
(max. 13.75 m<sup>2</sup> door surface)

### SupraMatic P

incl. photocell  
Pull and push force: 750 N  
Peak force: 1000 N  
Opening speed: max. 22 cm/s  
Door width: up to 6000 mm  
(max. 15 m<sup>2</sup> door surface)  
For heavy timber doors and doors with wicket doors

### SupraMatic H / HD

For collective and underground garages.  
Your Hörmann partner will be pleased to assist you.

\* The complete warranty conditions can be found at: [www.hoermann.com](http://www.hoermann.com)

\*\* With 5 door cycles per day and an electricity price of 0.25 euros/kWh

# Garage door operator ProMatic / ProMatic Akku

Reliable function at an attractive price



ProMatic as standard  
with a black HSE 2 BS  
hand transmitter

ProMatic garage door operators feature the same proven Hörmann technology as all Hörmann premium operators. This guarantees reliable function – at an attractive price.

Even in a garage without a mains connection, you can enjoy the comfort and convenience of an operator. The ProMatic Akku makes it possible. Easy to transport, it can be recharged in a matter of hours, even conveniently via the optional solar module.



### Optional inquiry of the door position

You can use the optional HS 5 BS hand transmitter at any time to check that your entrance gate is closed (not for ProMatic Akku).



### Additional opening setting

With the individually adjustable second opening height, you can ventilate your garage without completely opening the door (not for ProMatic Akku).



### ProMatic Akku

A convenient solution for garages without a power connection. Similar to the recharging of a mobile phone, the battery is simply connected to a power outlet using the supplied charger.



### Easy overnight recharging

A practical carrying handle and its light weight make it easy to transport the battery for charging. The solar module makes charging even more convenient.



### Solar module (optional)

A practical extension to ProMatic Akku takes over battery charging.

Delivery includes fitting material, 10 m connecting lead and charge controller, dimensions: 330 x 580 mm

### ProMatic

Pull and push force: 600 N  
Peak force: 750 N  
Opening speed: max. 14 cm/s  
Door width: up to 5000 mm  
(max. 11 m<sup>2</sup> door surface)

### ProMatic Akku

For garages without power connection  
With 868 MHz fixed code  
(without door position inquiry)  
Pull and push force: 350 N  
Peak force: 400 N  
Opening speed: max. 13 cm/s  
Door width: up to 3000 mm  
(max. 8 m<sup>2</sup> door surface)

### Battery

Operation period: approx. 40 days\*\*  
Charging time: 5 – 10 hours\*\*\*  
Weight: 8.8 kg  
Dimensions: 330 x 220 x 115 mm



**ProMatic Akku as standard with black HS 4 BS hand transmitter**

\* The complete warranty conditions can be found at: [www.hoermann.com](http://www.hoermann.com)  
\*\* Based on an average of 4 door cycles per day and an ambient temperature of 20° Celsius  
\*\*\* Depending on the charging state

# The Hörmann operator boom

Security both day and night with automatic locking



## Only from Hörmann

### 1 Automatic door locking in the operator boom

When the garage door is closed, the anti-lift kit automatically engages in the operator boom's stop. The door locks immediately and is secured against forced opening. This process is purely mechanical and thus also functions without a power supply!



Take a look at the video at:  
[www.hoermann.com/videos](http://www.hoermann.com/videos)



### 2 Exceptionally flat boom

An exceptionally flat boom – only 30 mm high – means that operators are easy to fit to any commercially available garage door and are therefore also ideal for retrofitting.

### 3 Emergency release from inside

To conveniently open the door from the inside in the event of a power failure.

### 4 Universal fitting bracket

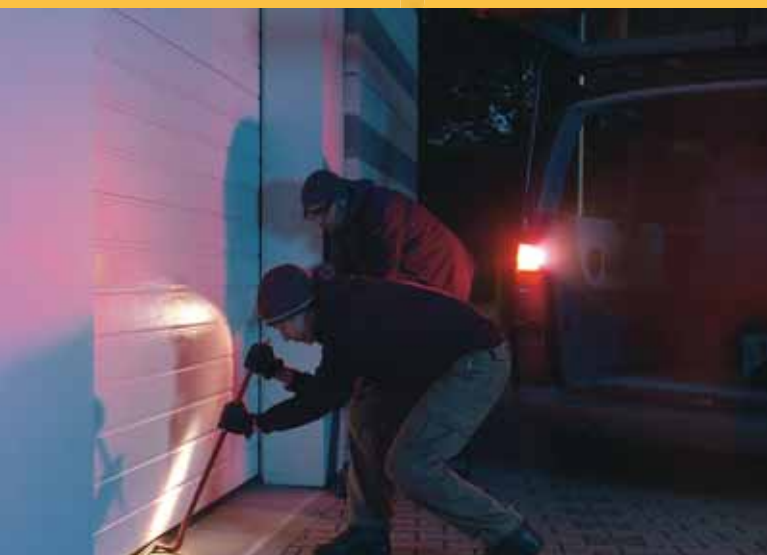
Fits all commercially available up-and-over and sectional doors.

### 5 Maintenance-free toothed belt

Reinforced with aramid fibres, the Kevlar toothed belt is particularly tear-resistant and quiet-running. It does not require grease or lubricants, providing an important advantage over chain or spindle operators.

### 6 Automatic belt tension

A strong spring mechanism tensions the toothed belt automatically, thus ensuring uniform, smooth running.





## As standard with all Hörmann garage door operators



6

### Compact unit

Hörmann's doors, operators and booms form a compact, permanently connected unit. Additional control units and exposed, movable connecting leads are not necessary.

### Simple installation

Hörmann operators can be installed easily and quickly. Operator booms can be fastened individually thanks to variable suspensions: Either to the ceiling or directly to the reinforced connection profile on the Hörmann sectional door (up to 3000 mm door width). An additional advantage: just one suspension is sufficient, even for long booms.

### Centre installation

Centre installation of the operator rails on the door leaf results in uniform pull forces on the door. No canting, no wear, which is frequently the case with e.g. operators installed on one side.



### Simple installation

For Hörmann sectional doors with a width up to 3000 mm, the operator boom can be fitted on the door connection profile.

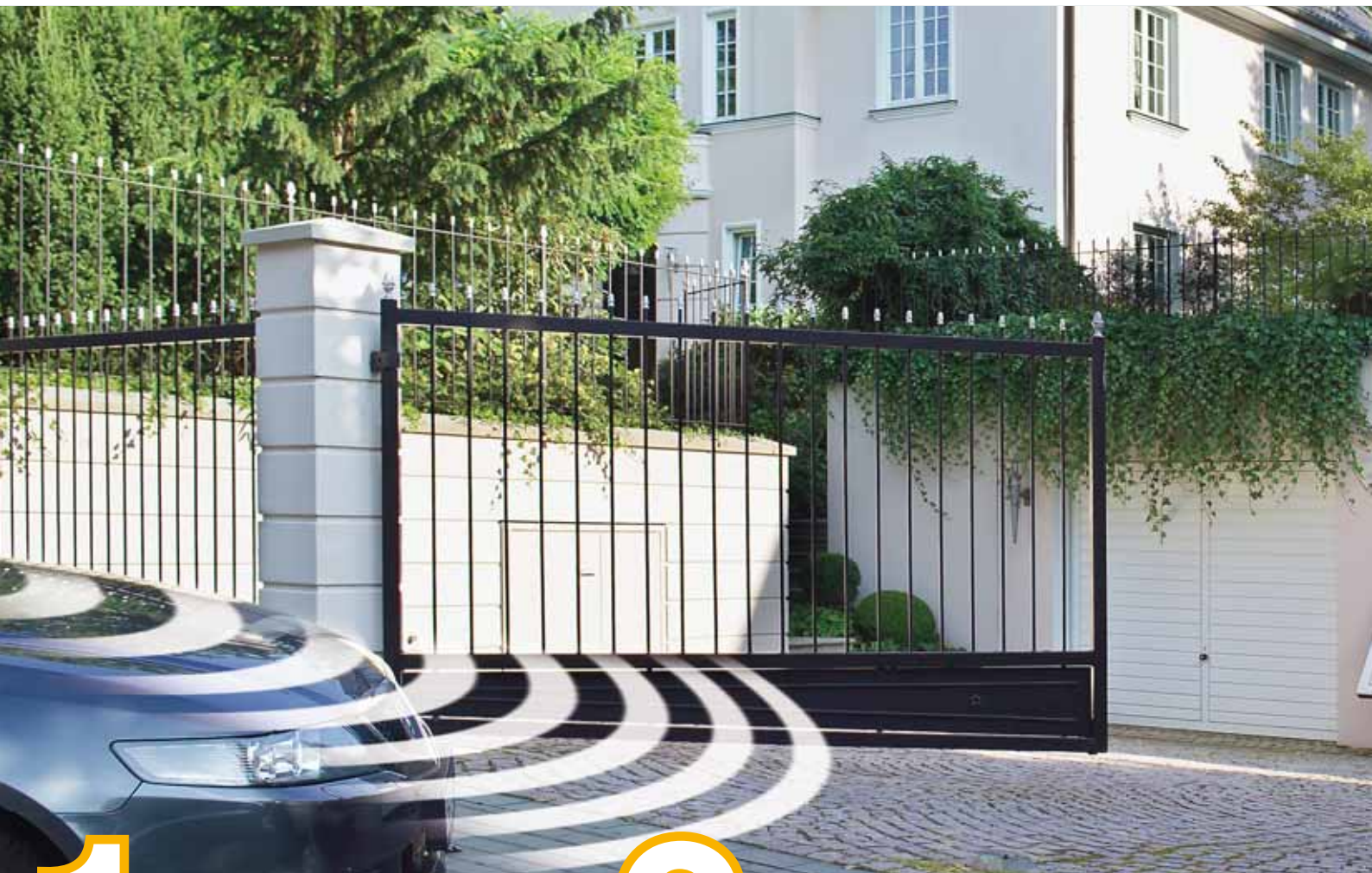


### Special track application for hinged garage doors

Thanks to simple assembly of the optional track application, retrofitting is also very easy.

# Good reasons to try Hörmann

## Entrance gate operator quality features



# 1

## Safe

### Automatic cut-out

Hörmann entrance gate operators work reliably during all opening and closing phases. The gate stops immediately if it encounters an obstacle. Non-contact photocells to detect persons or objects provide additional safety. They can be easily integrated in our elegant safety key switch post (see p. 37) and placed near the entrance to monitor the area of travel of your hinged or sliding gate.

# 2

## Reliable

### Soft start and soft stop

Hörmann entrance gate operators open quietly and reliably. The gate opens without a jolt and gently brakes before fully closing. This protects the gate and operator and does not disturb your neighbours.



**Tested safety**

Hörmann entrance gate operators work safely during all opening and closing phases. The operating forces for common door sizes and fitting situations have been tested and certified by TÜV in accordance with DIN EN 13241-1.



1



2

3

**Robust**

**Top quality**

High-quality entrance gate operators from Hörmann are decidedly robust, ensuring that they can remain in good mechanical condition over the long run. Weather-resistant and lasting material ensures long-term function. Our RotaMatic version also comes with integral heating for use in especially cold regions.



3

# Hinged gate operator RotaMatic / RotaMatic Akku

A streamlined operator with an elegant appearance



As standard with  
a black HS 4 BS  
hand transmitter

Thanks to its modern, slimline design, Hörmann's RotaMatic hinged gate operator is the perfect partner for your beautiful hinged gate. Just like the design, the functional and safety features are also exemplary. You can enjoy the convenience of an operator even if there is no direct connection to the mains supply with the RotaMatic Akku.



### Optional inquiry of the door position // NEW from July 2013

You can use the optional HS 5 BS hand transmitter at any time to check that your entrance gate is closed (not for RotaMatic Akku).



### RotaMatic Akku

For entrance gates without a power connection.

Its battery is easy to transport and can be charged in a matter of hours, e.g. overnight.



### Solar module (optional)

An optional solar module makes the system completely independent of the mains supply.

Delivery includes fitting material, 10 m connecting lead and charge controller.  
Dimensions: 330 x 580 mm



### Sound-absorbing seal (optional)

The operating forces for many door sizes and fitting situations using RotaMatic operators with optional sound-absorbing seal have been tested and certified by TÜV.



### Electric lock (optional)

Hinged gates are subjected to enormous forces under high wind loads. An additional electric lock secures it from being blown open.

### RotaMatic

Gate leaf width: max. 2500 mm  
Gate leaf height: max. 2000 mm  
Weight: max. 220 kg

### RotaMatic P

Gate leaf width: max. 2500 mm  
Gate leaf height: max. 2000 mm  
Weight: max. 400 kg

### RotaMatic PL

Gate leaf width: max. 4000 mm  
Gate leaf height: max. 2000 mm  
Weight: max. 400 kg

### RotaMatic Akku

With 868 MHz fixed code  
(without door position inquiry)  
Gate leaf width: max. 2500 mm  
Gate leaf height: max. 2000 mm  
Weight: max. 120 kg

### Battery

Integrated in a lockable control cabinet  
Operation period: approx. 30 days\*\*  
Charging time: 5 – 10 hours\*\*\*  
Weight: 8.8 kg  
Dimensions: 320 x 220 x 115 mm

\* The complete warranty conditions can be found at: [www.hoermann.com](http://www.hoermann.com)

\*\* Based on an average of 4 door cycles per day and an ambient temperature of 20° Celsius

\*\*\* Depending on the charging state

### Optional accessories

- Electric lock (recommended from a leaf width of 1500 mm)
- Sound-absorbing seal
- HNA emergency battery
- SK set (one-way photocell and warning light)
- HSK 3 lockable emergency release
- Integral heating for colder regions (down to 35°C)
- Track variants for special fitting situations

# Underground hinged gate operator DTU 250

An almost invisible operator for attractive gates



## DTU 250

Gate leaf width: max. 2500 mm

Gate leaf height: max. 2500 mm

Weight: max. 500 kg

A radio unit must be ordered separately for this operator. Technical clarification is also required. Please contact your Hörmann dealer.

The underground operator DTU 250 is an almost invisible and space-saving solution for use in private areas. We recommend floor fitting to create especially elegant gates.



# Hinged gate operator DTH 700

## An especially robust and powerful operator



### **DTH 700**

Gate leaf weight: max. 7000 mm  
Gate leaf height: max. 2500 mm  
Weight: max. 1000 kg

A radio unit must be ordered separately for this operator. Technical clarification is also required. Please contact your Hörmann dealer.

Hörmann's DTH 700 operator is especially robust and powerful. For use in private and commercial applications.

# Sliding gate operator LineaMatic

A compact and reliable operator



Highlights of the sliding gate operator LineaMatic include its compact, height-adjustable housing made of zinc diecast and glass-fibre reinforced plastic, as well as its reliable operator electronics.



### Optional inquiry of the door position // NEW from July 2013

You can use the optional HS 5 BS hand transmitter at any time to check that your entrance gate is closed.

### LineaMatic

Gate leaf width: max. 6000 mm  
Gate leaf height: max. 2000 mm  
Weight: max. 300 kg  
Self-supporting: max. 250 kg

### LineaMatic P

Gate leaf width: max. 8000 mm  
Gate leaf height: max. 2000 mm  
Weight: max. 500 kg  
Self-supporting: max. 400 kg

### LineaMatic H

Gate leaf width: max. 10000 mm  
Gate leaf height: max. 3000 mm  
Weight: max. 800 kg  
Self-supporting: max. 600 kg

A radio unit must be ordered separately for the operator LineaMatic H. Technical clarification is also required. Please contact your Hörmann dealer.



As standard with  
a black HS 4 BS  
hand transmitter



# Sliding gate operator STA 400

For large and heavy doors



## STA 400

Gate leaf width: max. 17000 mm

Gate leaf height: max. 3000 mm

Weight: max. 2500 kg

Self-supporting: max. 1800 kg

A radio unit must be ordered separately for this operator. Technical clarification is also required. Please contact your Hörmann dealer.

The sliding gate operator STA 400 is specifically designed for large gates. The matching control B 460 FU ensures precise gate travel and smooth stopping.

# Innovative technology in an elegant package

The new BiSecur hand transmitters



## Interference-resistant

Interference-resistant radio signal with a stable range

## 128-bit encryption

Benefit from the same high security level as in online banking.

## Simple transmission

Simple transmission of coding. Simple copying from hand transmitter to hand transmitter.

## Impact-resistant

The hand transmitter is very sturdy thanks to a permanently installed antenna.

## Backwards compatible

The new BiSecur control elements are also suitable for the operation of all Hörmann operators with a radio frequency of 868 MHz (year of manufacture 2003 – 06/2012). (Querying the door position is not possible).



reddot design award  
honourable mention 2011



**NEW**  
**Hand transmitter HSE 2 BS**  
**in 7 colours and 6 decors**



**Hand transmitter HS 5 BS**  
4 button functions  
plus inquiry button available  
in black and white;  
full scope of function only  
with SupraMatic and ProMatic  
operators



**Hand transmitter HS 4 BS**  
4 button functions, only  
available in black (fig. left)

**Hand transmitter HS 1 BS**  
1 button function,  
only available in black  
(fig. right)

**Hand transmitter holder**  
**incl. visor clip**

For wall fitting or fixing on the sun visor  
in your vehicle,  
transparent



**Hand transmitter**  
**HSE 2 BS // NEW**

2 button functions incl. eyelet for  
key ring

**Colours:**

Black, white, green, pink, yellow, red,  
orange  
(fig. from left)



**Decors:**

Silver, carbon, light rootwood, light  
timber, dark timber, dark rootwood  
(fig. from left)

## Mobile radio accessories

For every situation



reddot design award  
winner 2007



Operate your entrance gate or garage door with a mobile radio transmitter that is as easy to use as your TV remote control. You decide whether you would like a hand transmitter that remains in the vehicle or one to keep on your key ring.



With Hörmann, everything fits together.  
With just one hand transmitter you can operate your garage door, as well as your Hörmann entrance gate operator.



#### Hand transmitter HSD 2-A BS

Aluminium look,  
2 button functions,  
can also be used as a key ring

#### HSD 2-C BS

High-gloss chrome,  
2 button functions,  
can also be used as a key ring



#### Hand transmitter HSP 4 BS

4 button functions,  
with button lock-out,  
incl. key ring



#### Hand transmitter HSZ 1 BS

1 button function, for insertion in  
vehicle cigarette lighter

#### HSZ 2 BS

2 button functions,  
for insertion in vehicle cigarette lighter



#### HER 1 receiver

A receiver (1, 2 or 4-channel) is  
needed to operate an additional  
external light or a garage door  
(of other make) using Hörmann  
radio accessories.



### HSZ hand transmitter

The inexpensive alternative to  
expensive homelink systems:  
integrated in an inconspicuous spot  
in your car. Inserted in the vehicle's  
cigarette lighter, the hand transmitter  
HSZ is easily accessible and  
convenient to operate.



### Simple code transmission

Your individual hand transmitter coding  
can be easily transmitted to another  
hand transmitter.

## Stationary radio accessories

For outside and inside



You decide how to automatically operate your garage door or entrance gate: using a code or transponder technology. The classic way with a key or via a distinctive fingerprint – the choice is yours!



**Radio code switch FCT 3 BS**

For 3 functions  
with illuminated buttons



**Radio code switch FCT 10 BS**

For 10 functions,  
with illuminated buttons  
and protective cover



**Radio finger-scan FFL 12 BS**

For 2 functions and  
up to 12 finger prints



**Radio internal push button FIT 2**

For 2 operators  
or operator functions



**Recessed radio transmitter**

For two functions, in conjunction  
with a commercially available recessed  
switch. For central installation in  
a hallway / living room within  
sight of the garage door.

**HSU 2:** for all commercially available  
switch boxes with 55 mm Ø connection  
to the house mains supply

**FUS 2:** incl. 9 V battery/connection  
option for voltages up to 24 V  
(not shown).

**With 868 MHz fixed code**



**Radio code switch**

Open your garage easily  
by entering a personal code.  
No hand transmitter required!

# Stationary convenience accessories

## For outside



**CTR 1d / CTR 3d  
code switch**  
For 1 or 3 functions  
with hinged protective cover.



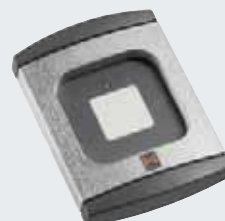
**CTR 1b / CTR 3b  
code switch**  
For 1 or 3 functions,  
with illuminated buttons  
and weather-resistant  
membrane keypad.



**CTV 1 / CTV 3  
code switch**  
For 1 or 3 functions,  
especially robust,  
protected against vandalism.



**FL 12 / FL 100  
finger-scan**  
For 2 functions,  
to open the garage door  
via a fingerprint. Can store  
12 or 100 fingerprints,  
respectively.



**TTR 100 / TTR 1000  
transponder key switch**  
For 1 function  
with 2 keys (more on request)  
for up to 12 / 100 / 1000 keys.





#### Internal push button IT 1

With impulse button to open and close the door (for ProMatic, SupraMatic and ProMatic Akku)



#### Internal push button IT 1b

You can conveniently open the door by pushing the large, illuminated button on the IT 1b (for ProMatic and SupraMatic).



#### Internal push button IT 3b

Along with a large illuminated button for conveniently opening the door, the internal push button IT 3b has two additional buttons. These can be used to control the operator light and completely switch off the radio-control system for the operator, e.g. while you are away on holiday (for SupraMatic).



#### Internal push button PB 3

With illuminated impulse button to open or close the door, button for garage light and button to switch off the radio system (for SupraMatic).



#### Key switch STUP 40 / STAP 40

In recessed and surface-mounted versions, including 3 keys.



#### Key switch ESU 40 / ESA 40

In recessed and surface-mounted versions, including 3 keys.



#### Key switch post STS 1

The key switch post STS is available with one or two adapters for command units (must be ordered separately). Transponder key switches, code switches, finger-scans or key switches can be installed. The post is White aluminium (RAL 9006), the cover and base are Slate grey (RAL 7015). Protected for outdoor use in accordance with IP 44.

Height: 1250 mm, base diameter: 300 mm.



The illustration shows a key switch post with fitted STUP 40 key switch (optional).

# Everything for Emergencies

## Innovative ideas for comfort and security



Hörmann products are always a bit more sophisticated. Many useful details make it easier to operate your door with increased security. Photocells effectively secure your garage door or gate, families with children especially appreciate this level of safety. Thanks to emergency battery, you can reliably open your door even after a power failure.



### Emergency battery HNA for garage door operators

With this emergency power supply, you can bypass network power failures for up to 18 hours and max. 5 door cycles. The emergency battery recharges itself during normal operation. Emergency batteries can be added to all current Hörmann garage door operators.



### Emergency battery HNA Outdoor for entrance gate operators

The RotaMatic hinged gate operator and LineaMatic sliding gate operators can also be equipped with an emergency power supply to bridge power failures. They can be universally fitted to the wall or floor.



### Additional emergency release

For garages without a second entrance, we offer you the following options to open the door from the outside in case of emergency (e.g. power failure):

#### Sectional doors without a handle

Emergency release lock with round cylinder (cannot be integrated in the home locking system) or emergency release handle in a choice of 8 styles, including lock (can be integrated in the home locking system).

#### Up-and-over doors and sectional doors with a handle

Emergency release (not shown)

### Photocell

Hörmann's reliable one-way photocell systems immediately stop the gate if the light beam is interrupted. They can be directly fitted to the door or integrated in STL key switch posts.

### Signal lamp

A warning light on your entrance gate provides you with extra security day and night.



## Light and safety accessories

### Technology for entrance gates



Hörmann key switch post sets made of weather-resistant, anodised aluminium offer you more light and security. The posts can be individually equipped using variable inserts for photocells and LED light modules.

## Ensure a bright, safe entrance area

### Light key switch post SLS

The light key switch post SLS with an LED light module is available in heights of 550 mm and 1080 mm. The 1080 mm key switch post is also available with two LED light modules to improve the lighting in your entrance area.

**SLS-K**  
with LED light module  
Height 550 mm

**SLS-L**  
with double LED module  
Height 1080 mm

**SLS-L**  
with LED light module and design screen  
Height 1080 mm



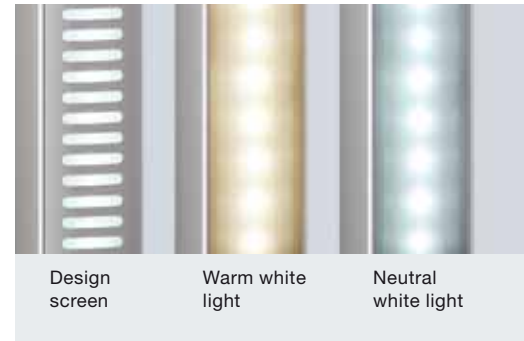
### Safety key switch post STL

The 550-mm-high basic version is equipped with a photocell holder. The key switch posts can be optionally supplied with two photocells or a photocell and LED light module.

**STL**  
with optional photocell

**STL**  
with two optional photocells

**STL**  
with optional photocell  
and LED light module



Design  
screen

Warm white  
light

Neutral  
white light

### LED light modules

You can choose between a warm or neutral white light in the light modules. The optional aluminium design screen creates a special accent.



### LED lighting for doors

An LED light strip with neutral white light puts your door and side door in the right light. The plug-in system can be shortened individually, making it a perfect fit for any door width. You can arrange the LED light strip at the lintel (figure above) or bottom edge of the door leaf.




LED spacing: 125 mm

# Dimensions and fitting data

## SupraMatic, ProMatic

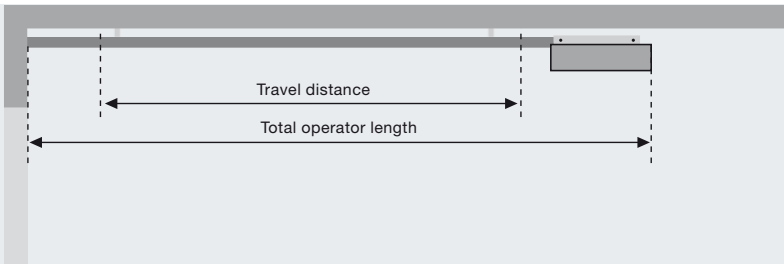
● = Standard

○ = Optional with hand transmitter HS 5 BS

		 BiSecur SupraMatic E	 BiSecur SupraMatic P	 BiSecur ProMatic	ProMatic Akku
<b>Product Description</b>					
<b>No. of parking spaces</b>		● / max. 12	● / max. 25	● / max. 6	● / max. 2
<b>Door cycles (Open / Close) per day</b>		Max. 25	Max. 50	Max. 12	Max. 4
<b>Suitable for:</b>					
	Commercial areas	–	–	–	–
	Doors with wicket doors / timber doors	– / ●	●* / ●	– / ●	– / –
				Timber doors with max. 3.5 m door width and 9 m <sup>2</sup> door leaf surface	
	Max. door width	5500	6000**	5000	3000
	Max. door leaf surface	13.75 m <sup>2</sup>	15.00 m <sup>2</sup>	11 m <sup>2</sup>	8 m <sup>2</sup>
<b>Operator data</b>		24 V DC gear drive			
	Mains voltage	230 V – 240 V AC		230 V – 240 V AC	See the technical manual
	Power input	0.2 kW		0.2 kW	
	Pull and push force	650 N	750 N	600 N	350 N
	Peak force	800 N	1000 N	750 N	400 N
	Opening speed	Approx. 22 cm/s	Approx. 22 cm/s	Approx. 14 cm/s	Approx. 13 cm/s
	Standby	< 1 watt	< 1 watt	< 7 watts	< 0.1 watt
	Housing	Aluminium and plastic, galvanized steel base plate		Plastic, galvanized steel base plate	
	Temperature range	–20 °C to +60 °C			–15 °C to +45 °C
	Protection category	Only for dry rooms			
<b>Control electronics</b>					
	Impulse control	●	●	●	●
	Power limit	●	●	●	●
	Adjustable soft start and soft stop	●	●	●	●
	Display	Double 7-segment display		LED	LED
	Adjustable operator light and partial opening	●	●	– / ●	–
	Adjustable automatic timer	●	●	●	–
	Hold-open phase after activation	30 – 180 sec.	30 – 180 sec.	30 sec.	–
<b>Equipment</b>					
	Hand transmitter (868 MHz)	5-button hand transmitter HS 5 BS (black)		2-button micro hand transmitter HS 2 BS (black)	HS 4 BS
	Integrated receiver (868 MHz)	Bi-directional BS receiver		Bi-directional BS receiver	Receiver fixed code
	Inquiry of the door position	●		○	–
	Control buttons	next to the display on the operator cover		Control buttons in the operator cover	
	Photocell	–	● / EL 101	–	–
	High-speed opening	●	●	–	–
	Quick release operated from inside	●	●	●	●
	Connecting lead with Euro plug	●	●	●	–
	Adjustable, integrated garage light / pre-set	● / 1 minute		● / with 2-minute light	● / with 30 s light
	Anti-lift kit for break-in resistance	●	●	●	●
	Universal installation bracket for up-and-over doors and sectional doors!	●	●	●	●

\* A photocell is required for doors with wicket doors.

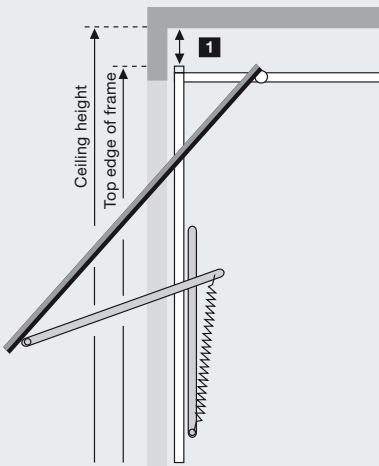
\*\* &gt; 5500 mm only in conjunction with an FS 60 operator boom and fitting bracket



Type of boom	Overall length	Travel distance
<b>K</b> Short boom	3200	2475
<b>M</b> Medium boom	3450	2725
<b>L</b> Long boom	4125	3400

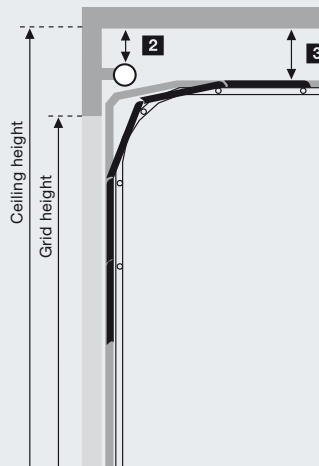
Boom applications for Hörmann garage doors	Height
<b>K</b> Up-and-over garage doors (N 80 and DF 98) Sectional garage doors with track application N Sectional garage doors with track application Z, L, H	Up to 2500 Up to 2250 Up to 2125
<b>M</b> Up-and-over garage doors (N 80 and DF 98) Sectional garage doors with track application N Sectional garage doors with track application Z, L, H	Up to 2750 Up to 2500 Up to 2375
<b>L</b> Sectional garage doors with track application N, Z, L, H	Up to 3000

Note the travel distance for doors from other manufacturers!



**1** Required clearance for up-and-over garage doors

N 80	0
N80, style 905, style 941 or with timber infill	15
DF 98, DF 95, DF 80	65

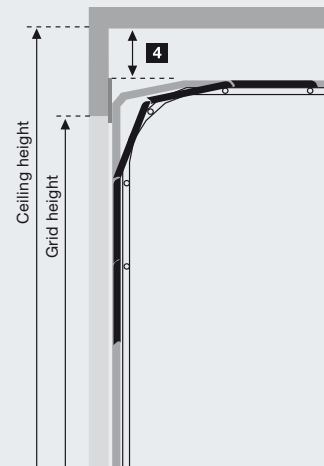


**2** Required clearance for sectional garage doors with torsion spring assembly

With track application N ceiling height = grid height + 210	0
With track application H	0

**3** Required clearance for sectional garage doors with torsion spring assembly

With track application L ceiling height = grid height + 115	15
--	----



**4** Required clearance for sectional garage doors with tension spring assembly

With track application Z ceiling height = grid height + 115	15
--	----

Clearance for doors from other manufacturers

Between the highest point of door travel and the ceiling	30
--	----




All dimensions are minimum dimensions.  
Dimensions in mm

# Dimensions and fitting data

## Hinged gate operators RotaMatic

● = Standard

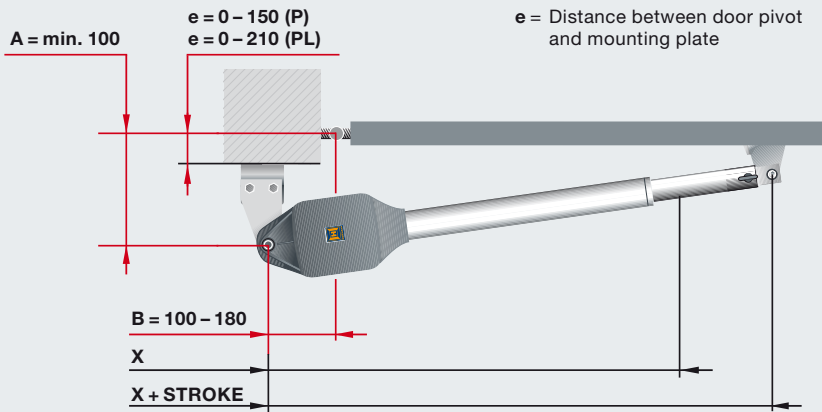
○ = Optional with hand transmitter HS 5 BS

		 BiSecur RotaMatic	 BiSecur RotaMatic P	 BiSecur RotaMatic PL	RotaMatic Akku
<b>Product description</b>					
<b>No. of parking spaces</b>		● / max. 6	● / max. 12	● / max. 12	● / max. 2
<b>Door cycles (Open / Close) per day</b>		Max. 12	Max. 25	Max. 25	Max. 5
<b>Suitable for:</b>					
	Commercial areas	–	●	●	–
	Up to max. door height	2000 m	2000 m	2000 m	2000 m
	Max. leaf width	1000 – 2500 mm	1000 – 2500 mm	1500 – 4000 mm	1000 – 2500 mm
	Up to max. door leaf weight	220 kg	400 kg	400 kg	120 kg
<b>Operator data</b>					
	Motor	24 V DC gear drive			
	Mains voltage	230 V – 240 V AC 50 Hz			See the technical manual
	Pull and push force	2000 N	2500 N	2500 N	1000 N
	Peak force	2200 N	2700 N	2700 N	1100 N
	Standby	< 7 watts			< 0.1 watt
	Housing	Aluminium / weather-resistant, glass-fibre reinforced plastic.	Aluminium / zinc diecast / weather-resistant, glass-fibre reinforced plastic.	Aluminium / zinc diecast / weather-resistant, glass-fibre reinforced plastic.	Aluminium / weather-resistant, glass-fibre reinforced plastic.
	Temperature range	–20 °C to +60 °C			–15 °C to +45 °C
	Protection category	IP 44			
<b>Control electronics</b>					
	Protection category (separate control housing)	IP 65	IP 65	IP 65	IP 65
	Impulse control	●	●	●	●
	Power limit	●	●	●	●
	Soft start and soft stop	●	●	●	●
	Adjustable automatic timer	●	●	●	●
	Number of lockable safety devices	2	2	2	1
<b>End-of-travel position</b>					
	Closed	Can be set with an integrated limit switch or end stop.			
	Open	Programmable (i.e. no end stop required!)			
<b>Equipment</b>					
	Hand transmitter (868 MHz)	4-button hand transmitter HS 4 BS (black)			
	Receiver (868 MHz)	Bi-directional BS receiver			Fixed code receiver for the impulse and partial opening functions
	Inquiry of the door position	○ From July 2013			–
<b>Mains connecting lead</b>					
		230 V, NYY 3 × 1.5 mm <sup>2</sup> (on-site)			
<b>Motor cable</b>					
		Connecting lead up to 10 m NYY 5 × 1.5 mm <sup>2</sup> (on-site)			
<b>Additional connection cable</b>					
		All cables underground NYY, e. g. 5 × 1.5 mm <sup>2</sup>			
<b>Electric lock connecting lead</b>					
		NYY 3 × 1.5 mm <sup>2</sup> (on-site) underground H07RN-F 2 × 1 mm <sup>2</sup> on the door leaf			
<b>Lay all cables separately!</b>					





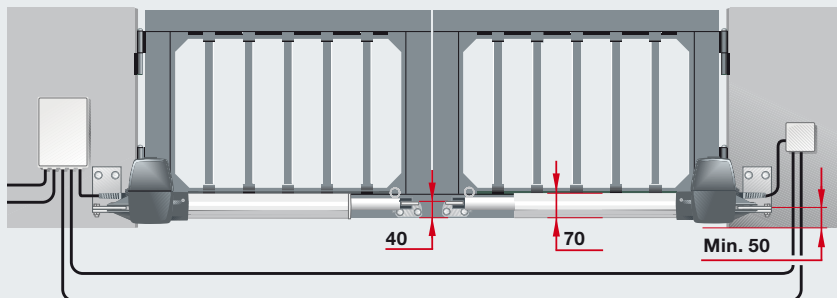
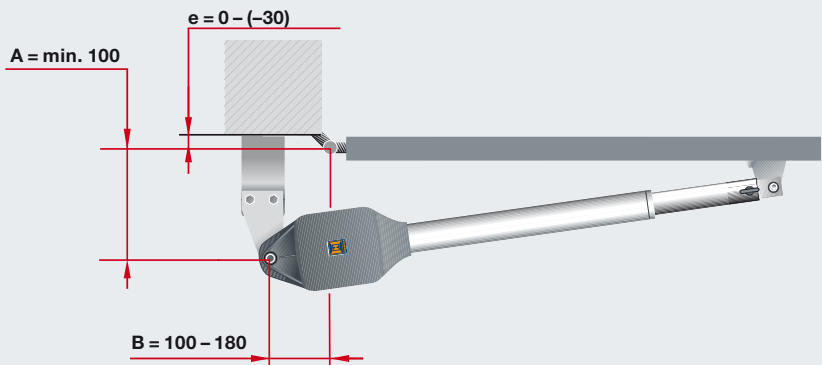
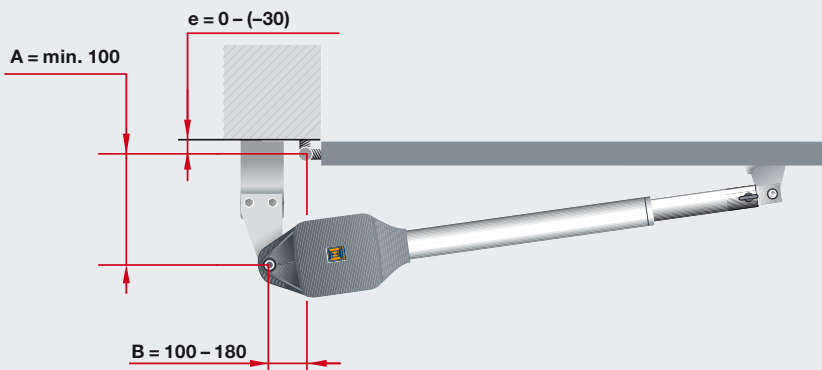
**For Hörmann sales partners**  
**The planning program for hinged gate operators**  
 With the planning program,  
 Hörmann supports you in planning and fitting  
 your hinged gate operator.



## RotaMatic

Dimensions	x	x + stroke
<b>RotaMatic / RotaMatic P</b>	720	1120
<b>RotaMatic PL</b>	820	1320

To ensure optimum door travel, the maximum difference between the A dimension and the B dimension must be 40 mm.



All illustrations and information with standard tracks, additional equipment features possible.

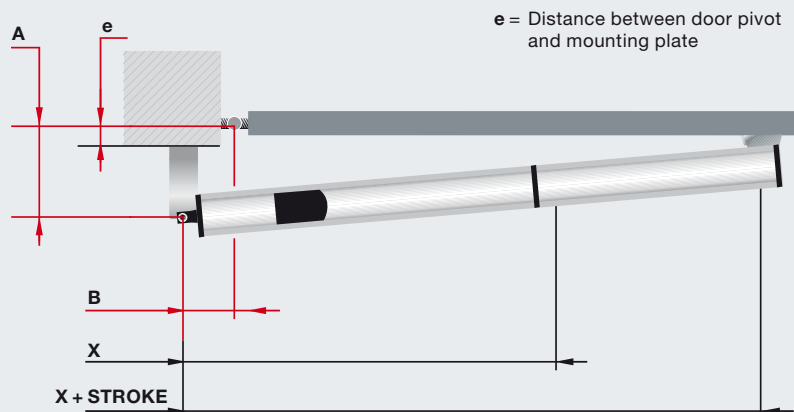
# Dimensions and fitting data

## DTH 700, DTU 250 hinged gate operators

● = Standard

○ = Optional with hand transmitter HS 5 BS

		DTH 700	DTU 250	
<b>Product Description</b>				
<b>No. of parking spaces</b>		● / max. 12	● / max. 12	
<b>Door cycles (open / close) per day</b>		Max. 25	Max. 25	
<b>Suitable for:</b>	Commercial areas	●	–	
	Up to max. door height	2500 m	2500 m	
	Max. leaf width	7000 m	2500 m	
	Up to max. door leaf weight	1000 kg	500 kg	
<b>Max. opening angle</b>	Standard	–	110°	
	With special fitting set	–	140°	
<b>Additional information</b>		An electric lock and end stops are required!	An electric lock is required for doors with partial infill!	
<b>Operator data</b>	Motor	Electro-hydraulic	Electromechanical	
	Mains voltage	230 V – 240 V AC 50 Hz		
	Pull and push force	3000 N	2500 N	
	Peak force	3500 N	3000 N	
	Standby	< 10 watts	< 10 watts	
	Housing	Weather-resistant aluminium housing	Weather-resistant steel trough with stainless steel cover plate	
	Temperature range	–20 °C to +60 °C		
	Protection category	IP 55	IP 67	
	<b>Control electronics</b>	Protection category (separate control housing)	IP 55	IP 67
		Display	● / two 7-segment displays	● / two 7-segment displays
Power limit (adjustable)		●	●	
Soft stop (adjustable)		●	●	
Adjustable automatic timer		●	●	
<b>Equipment</b>	Hand transmitter (868 MHz)	Without remote control		
	Receiver (868 MHz)			
<b>Mains connecting lead</b>		230 V, NYY 3 × 1.5 mm <sup>2</sup> (on-site)	230 V, NYY 3 × 1.5 mm <sup>2</sup> (on-site)	
<b>Motor cable</b>		230 V, NYY 5 × 1.5 mm <sup>2</sup> (on-site)	230 V, NYY 5 × 1.5 mm <sup>2</sup> (on-site)	
<b>Additional connection cable</b>		All cables underground NYY, e. g. 5 × 1.5 mm <sup>2</sup>	All cables underground NYY, e. g. 5 × 1.5 mm <sup>2</sup>	
<b>Electric lock connecting lead</b>		NYY 3 × 1.5 mm <sup>2</sup> underground H07RN-F 2 × 1 mm <sup>2</sup> on the door leaf	NYY 3 × 1.5 mm <sup>2</sup> underground H07RN-F 2 × 1 mm <sup>2</sup> on the door leaf	
<b>Lay all cables separately!</b>				

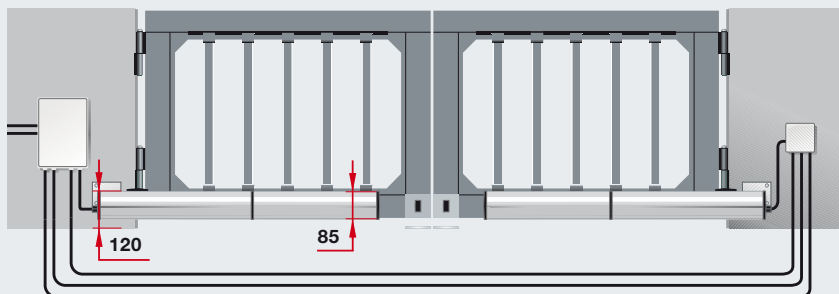


### DTH 700

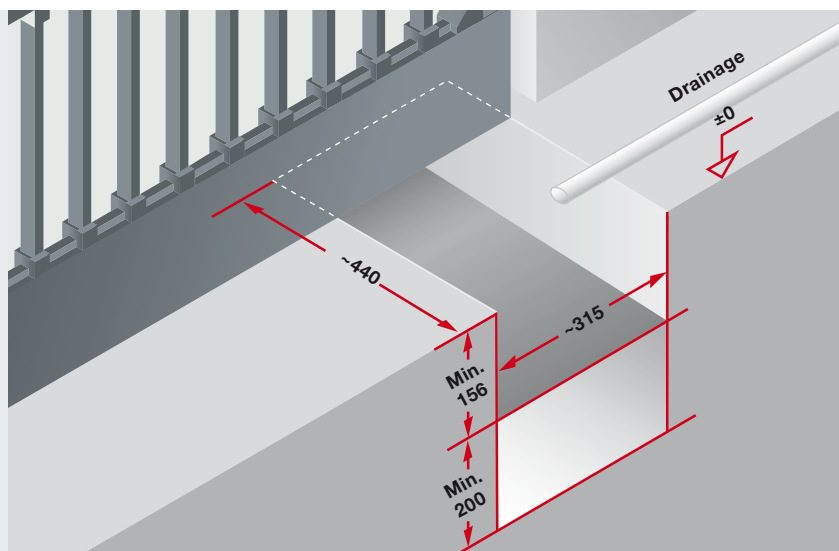
Opening angle	A	B	e
90°	130	130	80
115°	100	120	50
125°	90	120	40

Dimensions	x	x + stroke
	700	960

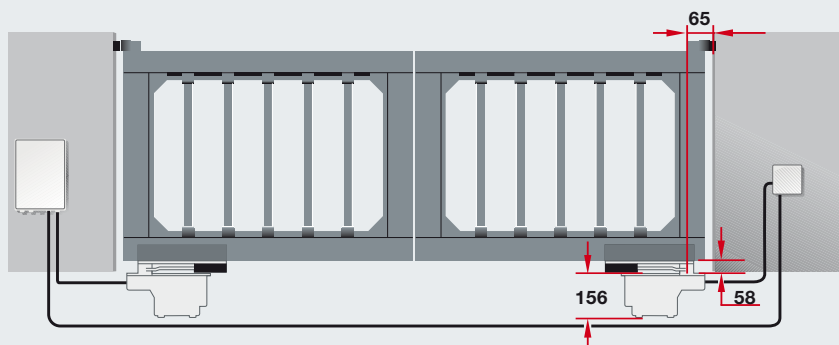


**Note:** In order to comply with the requirements in DIN EN 13241, we recommend using a closing edge safety device.



### DTU 250

**Foundation dimensions**  
Approx. 315 x 440 x 200



**Note:** In order to comply with the requirements in DIN EN 13241, we recommend using a closing edge safety device.



All dimensions are minimum dimensions.  
Dimensions in mm

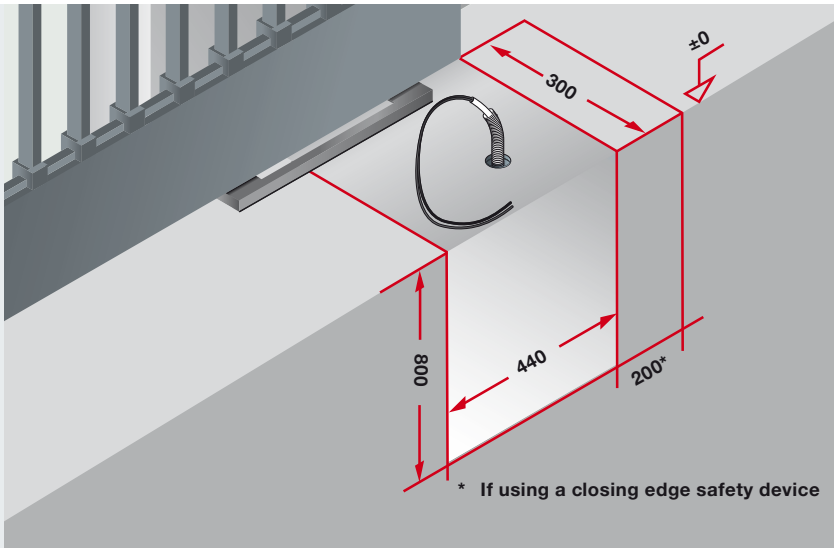
# Dimensions and fitting data

## Sliding gate operators LineaMatic, STA 400

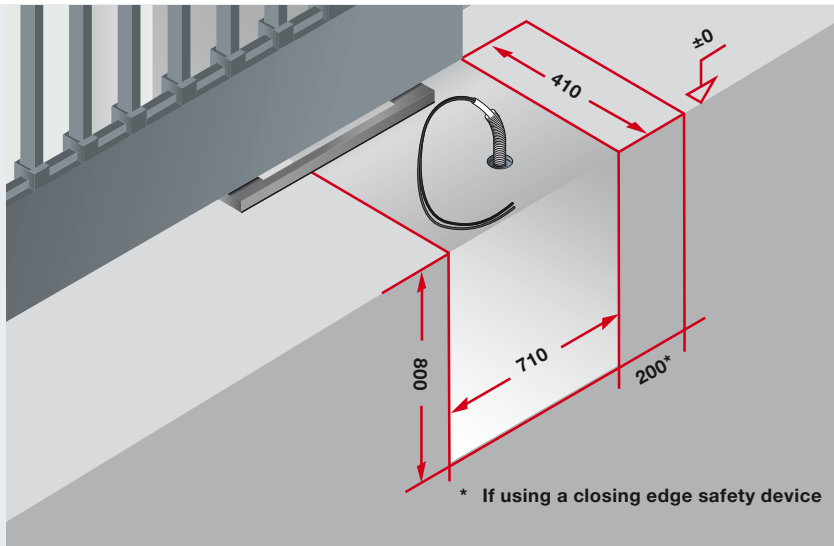
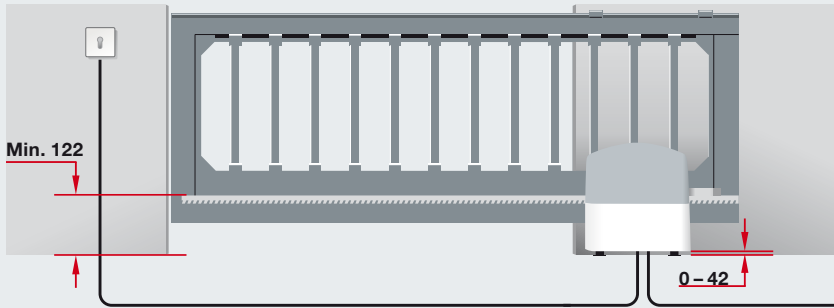
● = Standard

○ = Optional with hand transmitter HS 5 BS

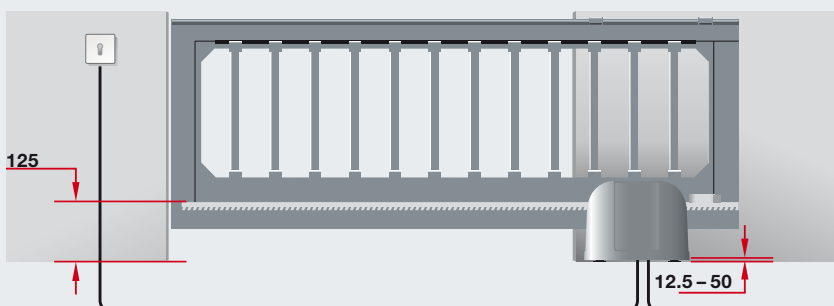
		 BiSecur LineaMatic	 BiSecur LineaMatic P	LineaMatic H	STA 400
<b>Product Description</b>					
<b>No. of parking spaces</b>		● / max. 6	● / max. 12	● / max. 12	● / > 25
<b>Door cycles (Open / Close) per day</b>		Max. 12	Max. 25	Max. 25	Max. 50
<b>Suitable for:</b>	Commercial areas	–	–	●	●
	Up to max. door height	2000 m	2000 m	2000 m	3000 m
	Max. door width	6000 m	8000 m	10000 m	17000 m
	Max. door weight:				
	For bottom-guided doors	300 kg	500 kg	800 kg	2500 kg
	For self-supporting doors	250 kg	400 kg	600 kg	1800 kg
<b>Operator data</b>	Motor	24 V DC gear drive			1-phase current gear drive
	Mains voltage	230 V – 240 V AC			
	Pull and push force	650 N	1000 N	1200 N	2000 N
	Peak force	800 N	1200 N	1400 N	2300 N
	Standby	< 7 watts			< 7 watts
	Housing	Zinc diecast/weather-resistant plastic			Weather-resistant plastic
	Temperature range	–20 °C to +60 °C			–20 °C to +60 °C
	Protection category	IP 44			IP 65
<b>Control electronics</b>	Control integrated in the housing	●	●	●	●
	Power limit (adjustable)	●	●	●	●
	Soft start and soft stop (adjustable)	●	●	●	●
	Magnetic limit switch	●	●	●	
	Electronic door position sensor				●
	Integrated automatic timer	●	●	●	●
	Passage of pedestrians programmable	●	●	●	●
	Number of lockable safety devices	3	3	3	3
<b>Equipment</b>	Hand transmitter (868 MHz)	4-button hand transmitter HS 4 BS (black)		Without remote control!	Without remote control!
	Receiver (868 MHz)	Bi-directional BS receiver			
	Inquiry of the door position	○ From July 2013		–	–
	Photocell (only for version SK)	One-way photocell EL 301			
	Warning light (only for version SK)	LED warning light SLK, yellow, for floor and wall fitting			–
<b>Mains connecting lead</b>		230 V, NYY 3 × 1.5 mm <sup>2</sup> (on-site)		230 V, NYY 3 × 1.5 mm <sup>2</sup> (on-site)	
<b>Additional connection cable</b>		All cables underground NYY, e. g. 5 × 1.5 mm <sup>2</sup>		All cables underground NYY, e. g. 5 × 1.5 mm <sup>2</sup>	
<b>Foundation dimensions</b>		Min. 440 × 300 × 800 mm (frost resistant)		710 × 410 × 800 mm (frost resistant)	
<b>Connecting lead</b>		See the figure for position of tube			
<b>Lay all cables separately!</b>					



### LineaMatic



### STA 400



**Note:** In order to comply with the requirements in DIN EN 13241, we recommend using a closing edge safety device.

All dimensions are minimum dimensions.  
Dimensions in mm