



Glidermatic® IGDU Industrial Door operator



The fully patented IGDU commercial door operator is available exclusively through Gliderol International Pty Ltd and accredited dealers.

The IGDU is Gliderol's premium operator designed for light industrial B series doors.

This uniquely engineered operator includes the patented planetary gearing system enabling increased efficiency and increases the motor life of the unit.

The drive unit may be factory fitted to the door or retro fitted to an existing door making it one of the most versatile operators on the market.

The operator comes complete with an emergency chain hoist to enable easy manual use of the door in the event of a power failure. Furthermore, the anti slip chain guide prevents slipping of the chain when operating in manual mode.

Also included is the manual release switch enabling the operator to convert from electric to manual mode with the simple to use ratchet release system. The release mechanism is installed within easy reach and does not require any ladders to activate, making it safe for all users.

The control box requires standard 240v power supply whilst all control circuits and wiring are 24 Volt DC, thus providing extra safety to all users.

The IGDU offers a range of safety features including safety reversing upon detection of a stationary object which is easily adjusted to suit doors size.

Extra terminals on the circuit board allow for further optional safety devices such as photo cells (PE Beams) and safety edge systems.

Gliderol's specially designed drum wheel enables the unit to be mounted to most brands of roller door.

By simply attaching just three bolts the IGDU can be used to automate manual doors with minimum effort.

Opening doors around the world®

Glidermatic® IGDU Industrial Door operator

Features:

- Twin 24 Volts DC motor Operation and service alert Feature.
- Fully Insulated Control Box with three button switch mounted on Control Box to independently control UP, Down and STOP operations of the door.
- Built-in Safety Overload Protection, Delayed Closing Feature.
- Suits a wide range of commercial & industrial doors.
- Terminals for additional Safety devices like photo cells and edge cell available.
- Minimal Field Installation is required for the C/Box which is wall mounted at close proximity to door.

Options:

- Simple Remote control upgrade (includes receiver, PE Beam & 2 x Handsets).
- Photo Electric Safety Beams are available.
- Wide Range of Accessory options readily available for plug-in like Alarm, External Lamp, External LED, External Switch,



Front View of IGDU Control Box with inbuilt three button Switch to independently control UP, DOWN and STOP operation of the Roller Door.

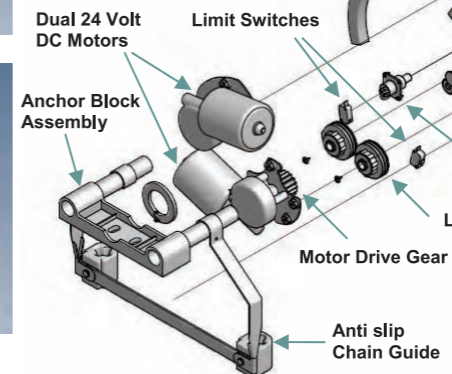
Diagram Below:

Glidermatic IGDU Manual Override Position



Emergency Chain Hoist

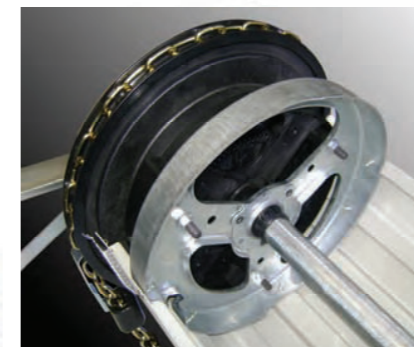
The IGDU unit can be easily put into manual operation in the event of Power failure by simply pushing the manual Override handle to Manual Position located at convenient waist high above the floor without having to climb a ladder to reach the Operator. The unit can be put back to automatic operation by just pushing back the manual override to Auto Position.



Exploded view of the IGDU Glidermatic components



Front View of IGDU unit showing twin 24Volts DC Motors, Limit setting cams etc..



Sectional view of IGDU unit Installed to Alternate drum wheel. Also shown is the emergency chain hoist with antislip chain guide.

Glidermatic™ operator's quality and dependability have been thoroughly tested and successfully proven with over 30 years of service in the field.

MINIMUM SIDE ROOM REQUIREMENTS		
Guide Series	Overlap	Sideroom
Standard AA / B	50mm Overlap	225 mm