

- (D)** **Anleitung für Montage und Betrieb** - Codetaster CTR 1b / CTR 3b
- (GB)** **Installation and Operating Instructions** - Digital coder CTR 1b / CTR 3b
- (F)** **Instructions de montage et d'utilisation** - Clavier à code CTR 1b / CTR 3b
- (NL)** **Montage- en bedieningshandleiding** - Codeschakelaar CTR 1b / CTR 3b
- (E)** **Instrucciones para montaje y funcionamiento** - Pulsador codificado CTR 1b / CTR 3b
- (I)** **Istruzioni per il montaggio e l'uso** - Tasto codifica CTR 1b / CTR 3b
- (P)** **Instruções de montagem e funcionamento** - Sensor de código CTR 1b / CTR 3b
- (PL)** **Instrukcja montażu i eksploatacji** - Sterownik kodowy CTR 1b / CTR 3b
- (H)** **Szerelési és üzemeltetési utasítás** - CTR 1b / CTR 3b Kódkapcsoló
- (CZ)** **Montážní a provozní návod** - Kódový spínač CTR 1b / CTR 3b
- (RUS)** **Руководство по монтажу и эксплуатации** - Клавиша с кодом CTR 1b / CTR 3b
- (SLO)** **Navodilo za montažo in obratovanje** - Kodno stikalo CTR 1b / CTR 3b
- (N)** **Veiledning for montering og bruk** - Kodetrykknapp CTR 1b / CTR 3b
- (S)** **Anvisning för montering och drift** - Kodknapp CTR 1b / CTR 3b
- (FIN)** **Asennus- ja käyttöohje** - Koodipainike CTR 1b / CTR 3b
- (DK)** **Vejledning til montage og drift** - Kodelastatur CTR 1b / CTR 3b

Urheberrechtlich geschützt. Nachdruck, auch auszugsweise, nur mit unserer Genehmigung. Änderungen vorbehalten.

Upphovsrätten skyddad. Eftertryck, även delvis, endast med vårt medgivande. Med förbehåll för ändringar.

Copyright. No reproduction even in part is allowed without our permission. All details subject to change.

Tekijänoikeussuoja. Osittainenkin lainaaminen vain luvallamme. Oikeus muutoksiin pidätetään.

Droits d'auteur réservés. Reproduction même partielle uniquement avec notre autorisation. Changements de construction réservés.

Beskyttet ophavsret Gengivelse, også i uddrag kun med vor tilladelse. Ændringer forbeholdt.

Door de auteurswet beschermd. Gehele of gedeeltelijke nadruk is zonder onze toestemming niet toegestaan. Wijzigingen voorbehouden.

Copyright. Prohibida toda reproducción íntegra o parcial sin autorización previa. Reservado el derecho a modificaciones.

Diritti d'autore riservati. Riproduzione, anche solo parziale, previa nostra approvazione. La Ditta si riserva di apportare modifiche al prodotto.

Prohibida toda a reprodução integral ou parcial sem autorização prévia. Reservado o direito a modificações.

Wszelkie prawa zastrzeżone. Powielanie, również częściowe, wyłącznie po uzyskaniu naszej zgody. Zastrzegamy sobie prawo do zmian konstrukcyjnych.

Szerzői jogi védelem alatt. Részleges utánnymás is csak kizárólagos engedélyünkel lehetséges. A változtatások jogát fenntartjuk.

Chráněno autorským právem. Dotisk, i částečný, pouze s naším svolením. Změny vyhrazeny.

Авторские права защищены! Перепечатка, даже части материала, только с нашего разрешения! Оставляем за собой право на внесение технических изменений.

Avtorske pravice zavarovane. Ponatis, tudi izvlečki, samo z našim dovoljenjem. Pridržana je pravica do sprememb.

Ophavsretten er beskyttet. Kopiering og ettertrykk; bare med vår godkjennelse. Det tas forbehold om eventuelle forandringer.

(D)	DEUTSCH	4
(GB)	ENGLISH	12
(F)	FRANÇAIS	19
(NL)	NEDERLANDS	27
(E)	ESPAÑOL	35
(I)	ITALIANO	43
(P)	PORTUGUÊS	51
(PL)	POLSKI	59
(H)	MAGYAR	67
(CZ)	ČESKY	75
(RUS)	РУССКИЙ	83
(SLO)	SLOVENSKO	93
(N)	NORSK	100
(S)	SVENSKA	107
(FIN)	SUOMI	114
(DK)	DANSK	122



..... 130

ENGLISH

- Illustration 1** Key pad installation
- Illustration 2** Control panel installation
- Illustration 3** Connection of CTR 1b (pulse control)
- Illustration 4** Two-Gate Mode using relays K1 and K2 (CTR 3b)
- Illustration 5** Connection of CTR 3b (directional control and stop/hold)

1 Digital Coders CTR 1b and CTR 3b

The External Digital Coder CTR 1b and CTR 3b consist of an evaluator station and a key panel. Both units are connected by means of a two-wire cable that can be shortened (5 m cable included) or lengthened up to 20 m to any desired length. Note: we recommend the use stranded-wire cable only (minimum cross-section: 0.75 mm²)!

This line is supplied with non-hazardous low-tension voltage and is sabotage-safe, i.e. manipulation of cable or key panel will not trigger evaluator circuits. The key panel is mounted externally, while the evaluator is installed in a secure and protected area. This is where the control lines for a variety of drives, e.g. for an automatic door opener, are connected and where the entry of access codes is possible.

An access code is chosen and programmed upon installation with a 2 to 5 digit number.

Important

Please note that there is no functional difference between the numeric keys "8" and "0". Keying in the numbers "1842" or "1042" will lead to the same result!

The storage locations for access codes are blank when initially used. Successfully stored, changed and deleted codes are protected against power failure.



Maximum contact load of the output relay (potential-free change-over contact):

Terminal .6	n.c. contact	max. contact load: 2,5 A / 30 V DC 500 W / 250 V AC
Terminal .8	n.o. contact	
Terminal .5	common contact	

Power consumption respect. current consumption:

Voltage	Stand-By		Maximum	
	CTR 1b	CTR 3b	CTR 1b	CTR 3b
230/240 V AC	0,6 W	2 W	2 W	5 W
24 V AC/DC	10 mA	10 mA	100 mA	120 mA

We recommend that the system is earthed (PE) to ensure that it remains insensitive to external interference

2 CTR 1b Operating Instructions

2.1 Entry or change of access code (CTR 1b)

The switches S1 - S4 enable the operator to program or modify 4 different access codes (for 4 users) all of which trigger the same actuation of output relay K1.

1. Select one switch S1 - S4 (one switch only!) and set to "ON" position.
2. Enter desired access code (a minimum of 2 digits, 5 digits maximum) using the numeric keys 1 - 9. The pressing of each key is accompanied by an acoustic signal.
3. Return switch to "OFF" position. If the programming procedure has been properly carried out, an acoustic signal (approximately two seconds long) will sound.

2.2 Deleting access codes (CTR 1b)

Each access code programmed using the switches S1 - S4 can be deleted so that no further codes fit.



1. Select one switch S1 - S4 (one switch only!) and set to "ON" position.
2. Press "Passcode" key. The key stroke is accompanied by an acoustic signal.
3. Return switch to "OFF" position. If the deletion procedure has been properly carried out, an acoustic signal (approximately two seconds long) will acknowledge input.

2.3 Functions of CTR 1b

The code modulator CTR 1b is equipped with one relay output (K1) which activates the "pulse" function.

1. Enter one of the programmed access codes using the numeric keys 1 - 9. The pressing of a key is accompanied by an acoustic signal.

Note

An unlimited number of numeric keys can be pressed before entering the suitable access code. This feature ensures that accompanying persons cannot retain an access code. Only the last five key strokes before the "Passcode" key is pressed are used for the access code comparison.

2. Then press "Passcode" key and, if necessary, hold.
 - If the last five digits entered correspond to the access code, the output relay K1 picks up for at least 1 second triggering the function (e.g. initiation of automatic door drive). In the event that the "Passcode" key remains pressed longer than 1 second, the relay remains in the pick up position for as long as the key remains pressed; after a maximum of 5 seconds, however, the relay releases. After the relay is released it is possible to retrigger this function within 20 seconds by means of any key.
 - In the event that the digits entered do not correspond to a stored access code, three short signal sound and the key panel is blocked for 10 seconds. An acoustic signal approx. two seconds long denotes the end of the off-period.

3 CTR 3b Operating Instructions

3.1 Entry of modification of access codes (CTR 3b)

The switches S1 and S2 enable the user to enter or modify two different access codes.

Should the unit be used for operating 2 gates, the code programmed using S1 will be allocated to output relay K1 and the code programmed using with S2 will be allocated to relay K2.

For the Directional Operation Mode the codes entered using S1 and S2 serve are instrumental in triggering the functions "open" (relay K1) and "close" (relay K2). See 3.3.2 below for further details.

1. Select one switch S1 or S2 (one switch only!) and set to "ON" position.
2. Enter desired access code (a minimum of 2 digits, 5 digits maximum) using the numeric keys 1 - 9. The pressing of each key is accompanied by an acoustic signal.
3. Return switch to "OFF" position. If the programming procedure has been properly carried out, an acoustic signal (approximately two seconds long) will sound.

3.2 Deleting access codes (CTR 3b)

Each access code programmed using the switches S1 or S2 can be deleted so that no further codes fit.

1. Select one switch S1 or S2 (one switch only!) and set to "ON" position.
2. Press "Passcode" key. This is accompanied by an acoustic signal.
3. Return switch to "OFF" position. If the deletion procedure has been properly carried out, an acoustic signal (approximately two seconds long) will acknowledge input.

3.3 Functions of CTR 3b

The External Digital Coder CTR 3b is equipped with 3 relay outputs (K1, K2 and K3). The relays K1 and K2 alternatively enable the activation of the ➤

Two-Gate Mode or the Directional Operation Mode and K3 alternatively enables the activation of Bell/ Light Mode or Stop/Hold Mode. The functions of K3 can be activated without entering an access code at any time by using the "Stop" or "Bell/Light" key.

3.3.1 Two-Gate Mode using relays K1 and K2

In order to program the Two-Gate Mode the switch **S3 must remain in the "OFF" position**. The code entered using switch S1 is allocated to relay K1 and the code entered using switch S2 is allocated to relay K2.

1. Enter one of the programmed access codes using the numeric keys 1 - 9. The pressing of a key is accompanied by an acoustic signal.
2. Then press "Passcode" key and, if necessary, hold.
 - If the digits entered correspond to the access code assigned to S1 or S2, the output relay K1 or K2 picks up for at least 1 second triggering the function (e.g. initiation of automatic gate drive). In the event that the "Passcode" key remains pressed longer than 1 second, the relay K1 or K2 remains in the pick up position for as long as the key remains pressed; after a maximum of 5 seconds, however, the relay releases. After the relay is released it is possible to re-trigger this function within 20 seconds by means of any key.
 - In the event that the digits entered do not correspond to an access code, refer to Section 2.3.

3.3.2 Directional Operation Mode using relays K1 and K2

In order to program the Directional Operation Mode the switch S3 must be set to the "ON" position. Key and direction "Open" are allocated to relay K1 and key and direction "Close" to relay K2.

1. Enter desired access code (a minimum of 2 digits, 5 digits maximum) using the numeric keys 1 - 9. The pressing of each key is accompanied by an acoustic signal (Refer to note under Section 2.3). ➤

2. Then press "Passcode" key.
 - If the digits entered correspond to the access code assigned to S1 or S2, the correct entry is acknowledged by means of an acoustic signal (approx. 2 seconds long) and a twenty-second time period is activated.
 - In the event that the digits entered not correspond to the access code assigned to S1 or S2, than refer to Section 2.3.
3. Press "Open" or "Close" key.
 - Is the key "Open" or "Close" pressed within the twenty-second time period, the relay K1 or K2 picks up for at least one second and the function is activated. In the event that the "Open" or "Close" key remains pressed longer than 1 second, the relay K1 or K2 remains in the pick up position for as long as the key remains pressed; after a maximum of 5 seconds, however, the relay releases.
 - After the relay K1 or K2 is released it is possible to retrigger this function within 20 seconds. Important: Please note that the relays K1 and K2 are always interlocked, i.e. when relay K1 picks up, relay K2 is blocked and cannot pick up and vice versa.

3.3.3 Bell/Light Mode using relay K3

In order to program Bell/Light Mode the switch S4 must be set to the "OFF" position. The "Stop" key has no function in this procedure.

- When the "Bell/Light" key is pressed the relay K3 picks up for the duration of key stroke.
- In the event that the "Bell/Light" key is pressed for more that 4 seconds, the relay K3 picks up for a maximum of 3 minutes. The key does not have to remain pressed for this time period.
- Pressing the "Bell/Light" key within this 3-minute period causes the relay K3 to release prematurely.

3.3.4 Stop/Hold Mode using relay K3

In order to program Stop/Hold Mode the switch S4 must be set to the ➤

"ON" position. The "Bell/Light" key has no function in this procedure.

- Unless the "Stop" key is pressed relay K3 remains in the pick up position.
- Pressing the "Stop" key immediately releases relay K3 for as long as the key is pressed.
- Relay K3 also releases in this manner if the unit is in the Directional Operation Mode and within the 20-second time period any key other than the "Open" or "Close" key is pressed.

EC Manufacturer's Declaration of Conformity

Manufacturer: Verkaufsgesellschaft KG
Upheider Weg 94-98, D-33803 Steinhagen

Product: Digital coder
Unit type: CTR 1b; CTR 3b

On the basis of its conception and design as well as in the type marketed by us, the product described above complies with the relevant basic requirements of the Directives stated below. Any modification made to the product without our express permission and approval shall render this declaration null and void.

Relevant Directives that the product complies with:

EC Directives regarding Electromagnetic Compatibility

EN 61000-6-1 08/2002

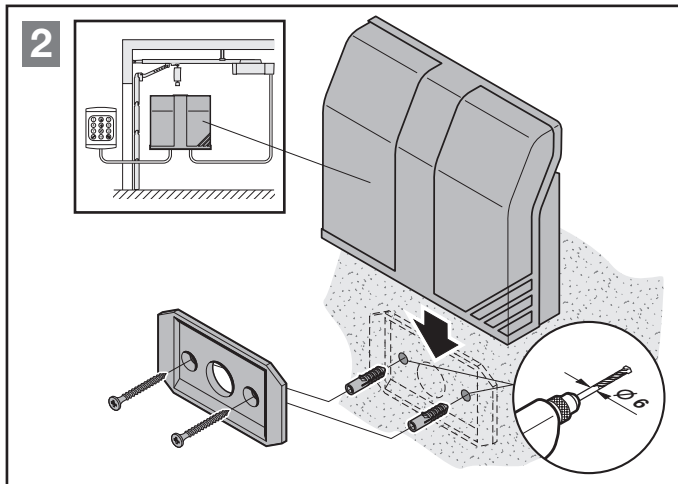
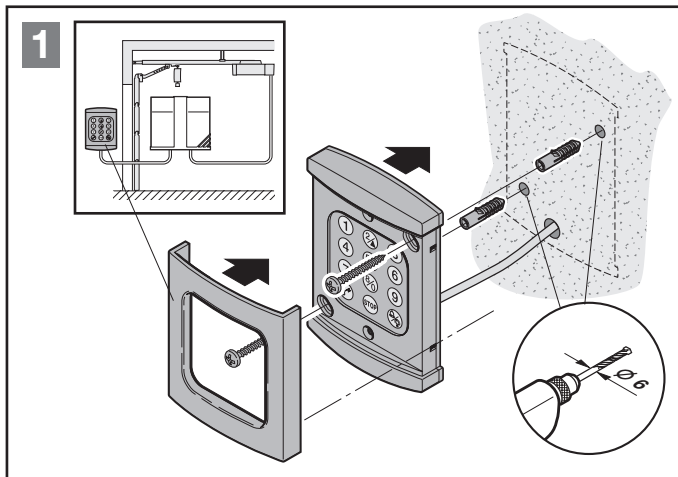
EN 61000-6-3 08/2002

EC Low-Voltage Directive 98/37/EC

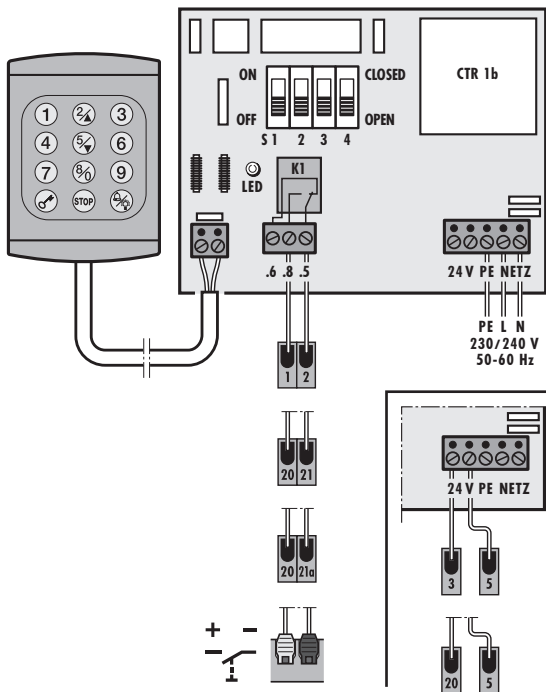
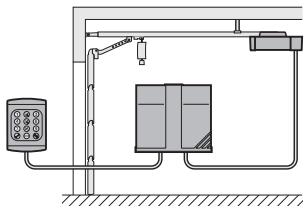
Steinhagen, 01.12.1998



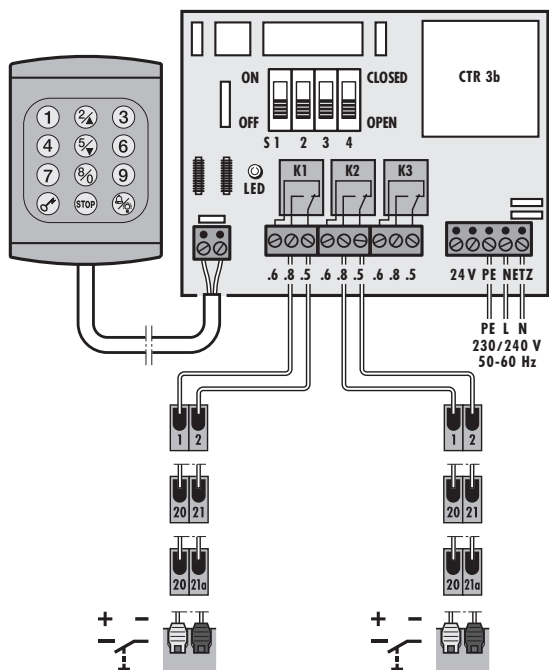
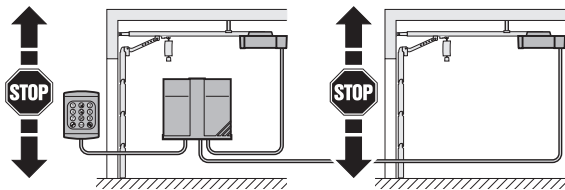
Axel Becker, Management



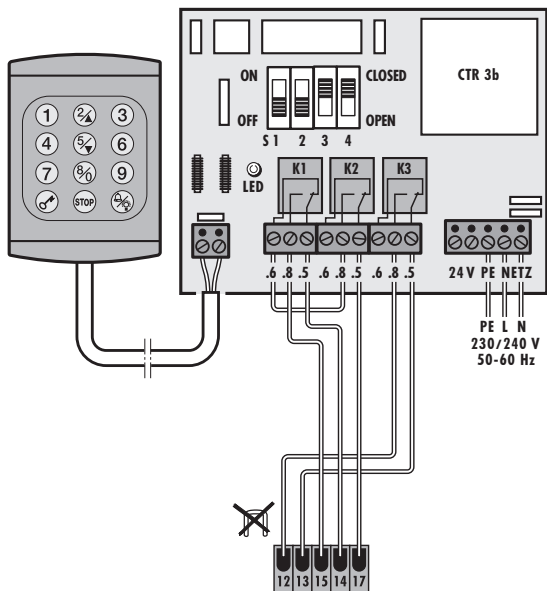
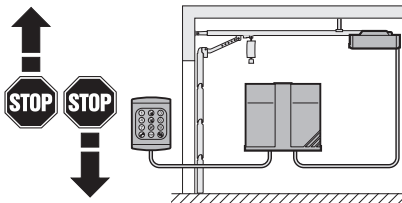
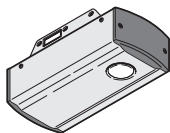
3

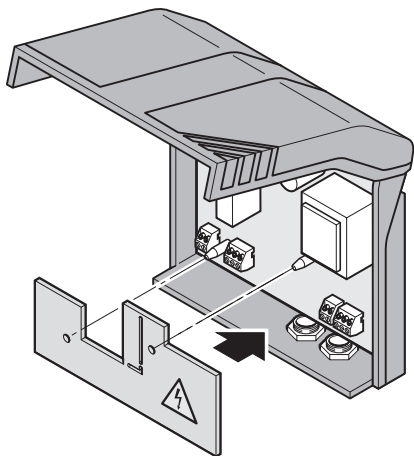


4



5



6 CTR 1b**CTR 3b**