

Operator systems for **garage doors**



blueline

Stand-by consumption only 0.3 watt!



The best operator for any garage door.
Safe. Comfortable. Fast. Energy efficient.

Marantec 
 Torantriebe  automatisch am besten

Opening and closing doors is just the beginning for us.

As a German manufacturer of innovative door operator and control unit systems it has always been our philosophy to make operators uncompromisingly safe and comfortable. All products are developed solely in our own factories and manufactured on state-of-the-art production lines. Thereby, they meet verifiably all legal requirements and standards and offer beyond that additional safety and comfort features. We set continuously new international standards with numerous patents and innovative developments.

The benefit for our customers: You can be assured to possess one of the safest operator systems in the world, which protects your family and your property to the fullest and at the same time offers comfortable freedom.

The best operator for any garage door.

The first operator with LED light technology.

Comfort 211

Door width:	max. 3.5 m
Door weight:	max. 75 kg
Operations:	max. 6 per day (Open/Close)
Push and pull force:	450 N
Door travel speed:	max. 120 mm/sec.



50% quicker opening and closing travel speed.

Comfort 250.2 speed

Door width:	max. 5.5 m
Door weight:	max. 175 kg
Operations:	max. 28 per day (Open/Close)
Push and pull force:	800 N
Door travel speed:	max. 220 mm/sec.



Whether your garage door is big, small, heavy, light, new or slightly old. If you want to operate your door using a standard electrical power supply, alternative energy sources or particularly fast – the Comfort products will offer for every desire and for every requirement the ideal operator solution. Additionally they are very energy saving. They reduce the energy consumption in stand-by mode to a minimum and use for lighting energy-saving bulbs and LED technology. Despite this all sources of lighting still offer the best possible illumination. **Safety and comfort by technique.**

Comfort 211. **The entry-level solution. Safe. Comfortable. Good price.**

Comfort 250.2 speed. **The real high speed operator.**

Comfort 220.2, 250.2, 252.2. **The classic range.**

Comfort 257.2. **The operator for underground and collective garages.**



Comfort 220.2, 250.2, 252.2

Proven Marantec technology.

Door width:	max. 5.0 / 5.5 / 6.0 m
Door weight:	max. 100 / 175 / 200 kg
Operations:	max. 16 / 28 / 48 per day (Open/Close)
Push and pull force:	600 / 800 / 1.000 N
Door travel speed:	max. 140 mm/sec.



Comfort 257.2

For multiple users.

Door width:	max. 6.0 m
Door weight:	max. 200 kg
Operations:	max. 100 per day (Open/Close)
Push and pull force:	1.000 N
Door travel speed:	max. 140 mm/sec.

Safety provides confidence. It is the basis of security and a sense of well-being.

NEW

Retrofittable or
already integrated.

Battery Backup (emergency power) ①

In case of power supply failure the battery backup provides energy supply to the operators. Up to 24 hours for a maximum of 10 door cycles (Open/Close). Battery charges itself during normal operating automatically.

Burglar-proof ②

The electronic monitored push open security device prevents effectively the unwanted opening of the door.

Patented power limitation ③

Marantec operator systems detect obstacles at an early stage. The door stops immediately and moves to the CLOSED position reversing appr. 20 cm backwards.

Tamper-proof radio remote control ④

The multi-bit technology enables more than 281 trillions different radio codes. Thus every hand transmitter becomes a safe unique copy with a comfortable, high operating range.



868 MHz

NEW

Photocell ⑤

It offers additional safety for the whole family. Sender and receiver are optimally protected against damage. Through this they guarantee permanent function safety.

Proved Safety

Marantec operator systems fulfil verifiably all legal requirements and standards and offer beyond that additional safety and comfort features.



EN 13241-1

Safety. Comfort. Energy efficiency.

Energy efficiency occurs through continuous improvement. For an environmentally compatible future.

Less than 0.3 watt power
consumption!

blueline

Even suitable for
garages without electrical
power supply.

Patented blueline technology

The innovative technology reduces the power consumption in stand-by mode to less than 0.3 watt. At the same time it guarantees permanent availability of all safety and comfort functions. *Currently available in the Comfort 220.2 blueline.*

Alternative energy source ⑥

The sun as a power company. Modern technology enables the alternative operating of the operator system. *Currently available for the Comfort 211 accu/solar operators.*

Comfort is an active support. For a higher quality of life.

Combinable with solar module.

* by an average of 4 door cycles per day and at an ambient temperature of 20 °C. Currently available for the Comfort 211 accuSolar operators

MAX Light is retrofittable anytime.

Comfort also without electrical power supply

For all garages without an electrical power supply. Holds battery charge up to 60 days.* Easy charging of the battery using the provided charger. Minimal power consumption achieved through active sleep mode developed by Marantec.

Soft-Start and Soft-Stop

The soft-starts and soft-stops can be adjusted. They guarantee a super-quiet door travel. And simultaneously protect the door and the operator.

Electrical reference point technology

It controls and operates the door. This guarantees, accurate to the millimetre, end position cut-off. The door is protected, the durability of the whole system is increased.

Maximum illumination

Marantec garage door operators are being equipped, as standard, with energy saving bulbs. Combined with the flexible additional illumination MAX Light they achieve the best brightness results.

EasyOperatingSystem EOS

Marantec operator systems are activated using the uniform programming structure. This saves time and simplifies the installation of different operators.



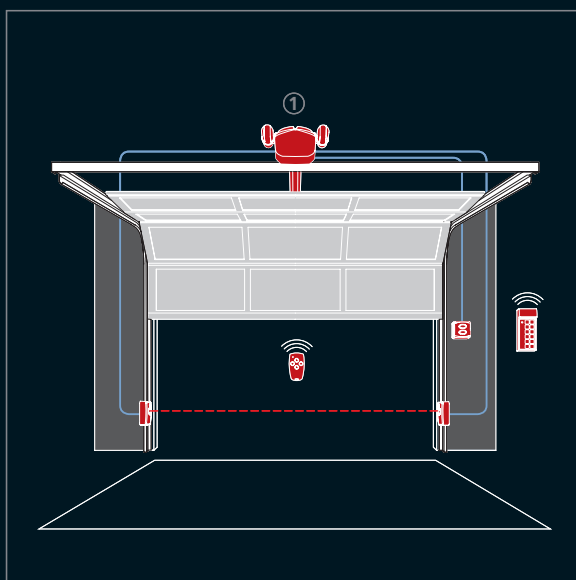
INNOVATION PRIZE R+T 2009 – INTERNATIONAL TRADE FAIR FOR ROLLER SHUTTERS, DOORS/GATES AND SUN PROTECTION



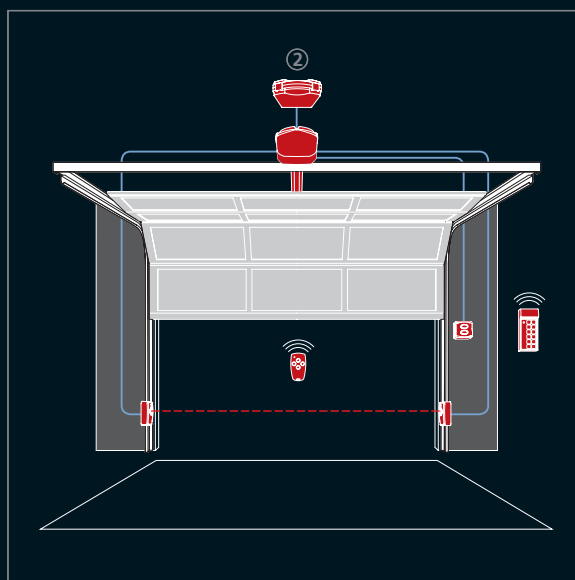
The ideal system for each and every requirement and application.

Whether you operate your door using the classic electrical power supply, alternative energy sources or particularly fast – the Comfort products offer for every desire and for every requirement the ideal operator solution.

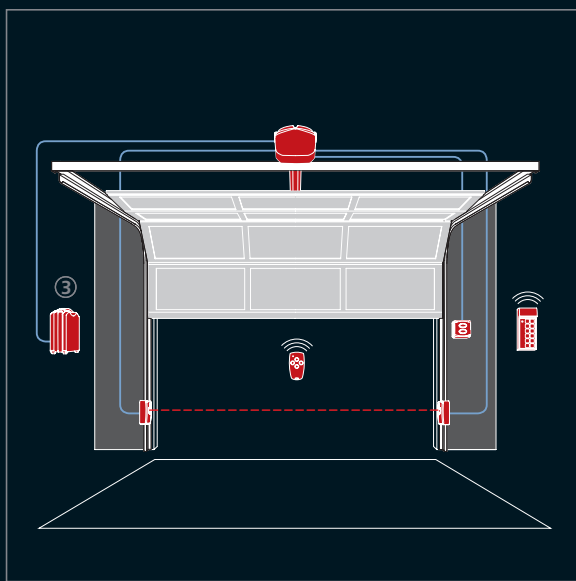
For all garage door types.



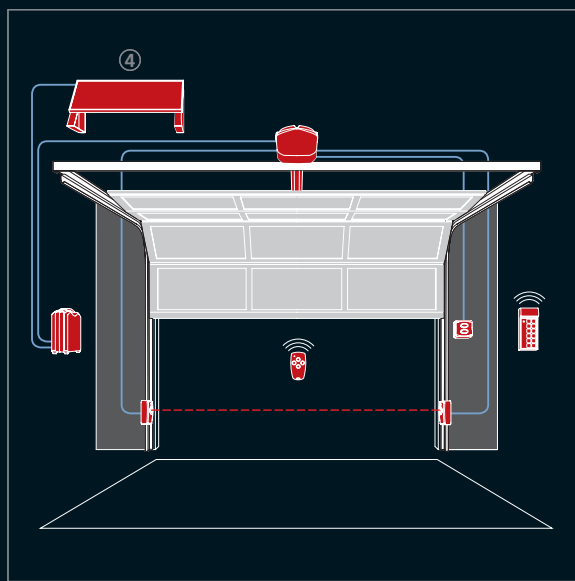
① Standard electrical power plug connection



② Protection through battery backup (emergency power)



③ Independent usage through an accumulator



④ Independent usage additionally via solar panel

Accessory range. Fulfils individual desires and requirements.

The comprehensive accessory range is available as a simply to install wireless solution or connection to a power supply line. Operating possibilities are varied. At the touch of a button, PIN-code, automatic timer function or card reader unit for example through chip cards.



Digital 302

Mini hand transmitter with 2 functions incl. wall and sun visor holder.



Command 314, 414

Key switch as recessed and surface mounted version.



Digital 304

Mini hand transmitter with 4 functions incl. wall and sun visor holder.



Command 222

Remote digital coder, 4-channel, operation through PIN-code.



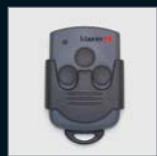
Digital 321

Micro hand transmitter single function incl. key chain.



Command 802, 812

Transponder card reader unit through code cards. For a maximum of 30 and 2000 users respectively.



Digital 313

Micro hand transmitter with 3 functions incl. key chain.



Command 613

Lockable pushbutton for Open-Stop-Close.



Digital 323

Hand transmitter with 3 functions for the cigarette lighter.



Special 630

One-way photocell



Command 115

Interior pushbutton for impulse sequence Open-Stop-Close.



MAX Light

Function light. Individually adjustable.



Command 116

Interior pushbutton for direction impulse.



Operator rails

Micro-profiled 1 and 2 part rails: toothed drive belt, roller chain, ball rope.

Please ask your specialised dealer for further individual operating possibilities.

Operator systems for garage doors

Operator systems for hinged gates

Operator systems for sliding gates

Operator systems for roller shutters and awnings

Operator systems for industrial doors

Operator systems for parc barriers

Accessories

Product-Service

