



# Side Sliding Sectional Door

**NEW:** Design styles with glazings and stainless steel embellishments



## Discover the space you could save

Hörmann side sliding sectional doors are the ideal solution for special fitting situations:

In contrast to up-and-over doors, sectional doors and roller garage doors, this type of door opens to the side instead of upwards. This is particularly advantageous if, for example, the garage ceiling has to remain free to store items (such as ladders), or the door leaf cannot be parked underneath or fitted to the ceiling due to construction reasons (a sloped roof, low headroom, obstructive drainpipes).





## GOOD REASONS TO TRY HÖRMANN

“A good reputation must be earned.”

August Hörmann

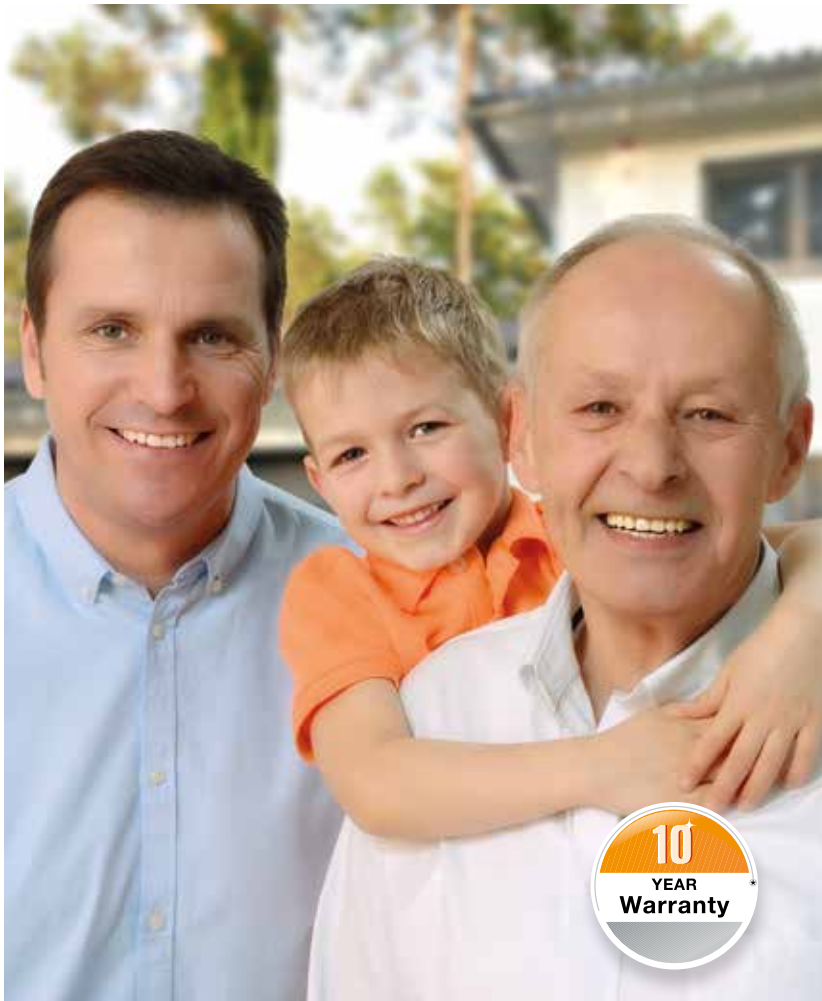
In line with the founder's philosophy, the Hörmann brand today is a true promise of quality. The family-owned company has over 80 years of experience in door and operator construction and, with sales of over 20 million doors, is no. 1 in Europe. This makes a Hörmann side sliding sectional door a reassuring purchase.



## 1 Brand quality “Made in Germany”

All doors and operator components are developed and manufactured by Hörmann, are perfectly matched to each other and tested and certified by independent, recognised institutes to ensure your safety. They are manufactured in Germany according to the DIN ISO 9001 quality management system and meet the requirements of European standard 13241-1. Furthermore, our highly qualified employees work intensively on new products, continual further developments and improvements to details. Patents and unique products on the market are the result of this.





## 2 Garage doors for generations

Endurance tests under real conditions ensure mature series products with Hörmann quality. Thanks to this, as well as excellent technical solutions and uncompromising quality assurance, you receive a 10-year warranty on all Hörmann side sliding sectional doors and a 5-year warranty on Hörmann operators.\*

\* The complete warranty conditions can be found at: [www.hormann.co.uk](http://www.hormann.co.uk)

## 3 An eye on the future

Hörmann is setting a good example. For this reason the company covers more than 70 % of its energy consumption via green energy, to which it contributes continuously. At the same time, many tonnes of CO<sub>2</sub> are saved each year thanks to the introduction of an intelligent and certified energy management system. And last but not least, Hörmann offers products for sustainable construction. Find out more about Hörmann's environmental activities in the "We Think Green" brochure.



## GOOD REASONS TO TRY HÖRMANN



## 4 Light, quiet, precise

### **Twin rollers**

42-mm-thick panels with PU foam infill are guided safely and precisely at the top by stable twin rollers and at the bottom in a rounded floor rail. The floor rail is open on both ends, making it easy to clean.

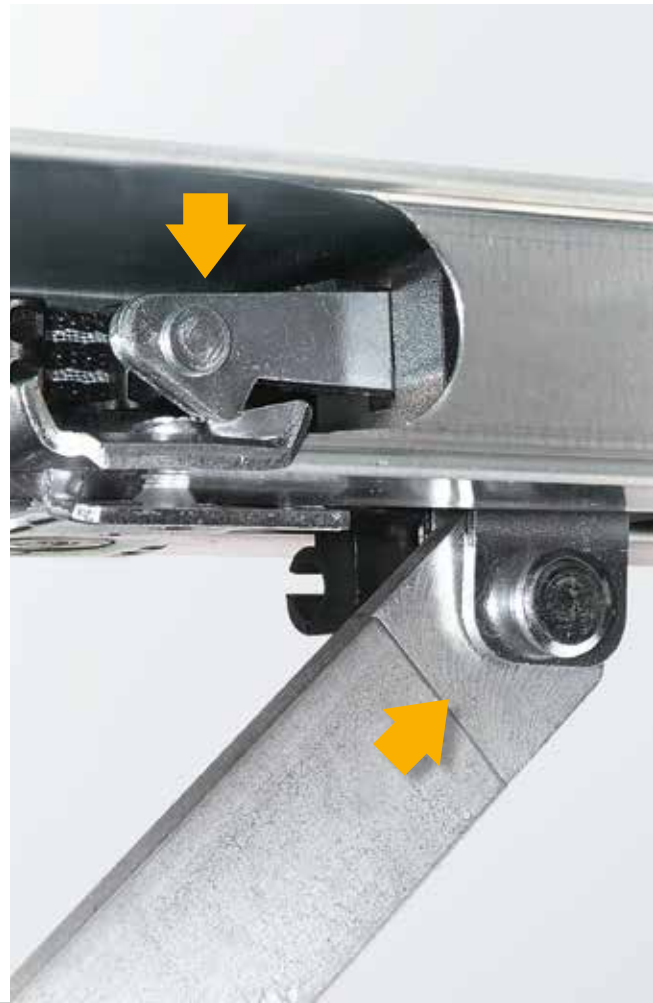
## 5 Reliable

### **Finger trap protection inside and outside**

Optimally shaped door section transitions and hinges prevent fingers from being accidentally trapped.

### **Double automatic safety cut-out**

The reliable automatic safety cut-out is active during both the opening and the closing cycle of the door. The door stops immediately if there is an obstacle in the opening zone or in the wall guide. This prevents injuries and damage to vehicles or property.



## 6 Convenient

### Faster access to the garage

Side sliding sectional doors can also be opened partially to allow pedestrians to pass. This lets you get into your garage faster, for example if you want to get your bicycle out.

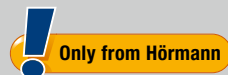


### More convenient with automatic partial opening

The passage width can be individually set in doors with an operator. The door is operated via the hand transmitter or the optional door handle with radio module.

For further information, please see page 18.

## 7 Secure



### Mechanical anti-lift kit

Unwanted guests barely have a chance when encountering automatic gates.

When the garage door is closed, the anti-lift kit automatically engages in the operator boom's stop, then locks immediately and is secured against forced opening. This patented door locking functions purely mechanically and, in contrast to competitor operators, continues to secure the door even when the power fails. Additionally, two hooks at the sides of the gate connect the end of the door leaf firmly with the side frame.



See the short film at:  
[www.hormann.co.uk/videos](http://www.hormann.co.uk/videos)



## GOOD REASONS TO TRY HÖRMANN



## 8 BiSecur radio system with certified security



The bi-directional BiSecur radio system is based on future-oriented technology for the convenient and secure operation of garage and entrance gate operators, door operators, lighting and more. This extremely secure BiSecur encryption protocol, developed by Hörmann, with a stable, interference-free range makes sure that no-one can copy your radio signal. It was tested and certified by security experts at Bochum University.



See the short film at:  
[www.hormann.co.uk/videos](http://www.hormann.co.uk/videos)



## 9 Perfectly matched and 100 % compatible.

**All BiSecur operators, receivers and control elements are 100 % compatible.** Using a hand transmitter or radio code switch, for example, you can operate your garage door as well as entrance gate equipped with a Hörmann operator or other devices with BiSecur receivers. With our app\* and Hörmann BiSecur gateway, you can conveniently control your Hörmann garage door or entrance gate operators, Hörmann entrance door\*\* or the internal door operator Portamatic as well as other devices using your **smartphone or tablet.**

\* For smartphones or tablets with iOS and Android operating system

\*\* To use this function it is required that your Hörmann entrance door ThermoCarbon / ThermoSafe is equipped with the automatic lock S5 / S7 Smart.





## 10 Convenient querying of the door position

**You no longer have to go out in all kinds of weather** to check if your door is closed. At the press of a button, the colour of the LED on the HS 5 BS hand transmitter indicates the position of the door. If required, another push of a button\*\*\* closes the gate. It is the most comfortable and secure way to control your door.

\*\*\* An additional photocell is required for operation without visual contact to the door.

## 11 Award-winning design

**In addition to a black or white design, BiSecur hand transmitters** are characterized by an elegant shape that fits easily in the palm of your hand.

Hörmann's BiSecur hand transmitters with an optional high-gloss surface in a piano lacquer look have received the reddot design award for their exclusive design.



See the short film at:  
[www.hormann.co.uk/videos](http://www.hormann.co.uk/videos)



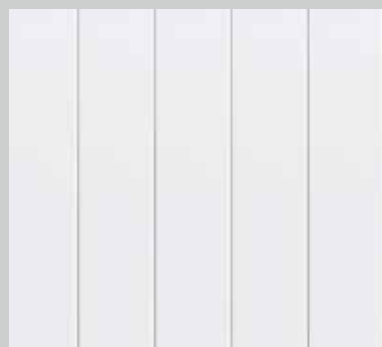
Figure above: hand transmitter HS 5 BS with hand transmitter station (optional).

# Side sliding sectional doors HST

The 42-mm-thick, PU-foamed sandwich panels are characterised by excellent acoustic and thermal insulation, in addition to good door leaf stability and quiet operation.



M-ribbed, Traffic white RAL 9016



L-ribbing, Traffic white RAL 9016



Panel, Traffic white RAL 9016



L-ribbed, style 461, Traffic white RAL 9010  
**NEW**



L-ribbed, style 462, Traffic white RAL 9016  
**NEW**



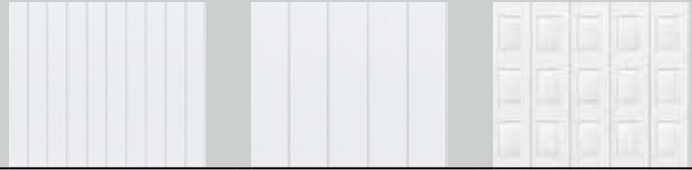
L-ribbed, style 469, Traffic white RAL 9016  
**NEW**



L-ribbed, style 481, Traffic white RAL 9016  
**NEW**

The example styles show doors with the dimensions 2500 x 2125 mm.

The following pages illustrate all of the colours, technical data can be found from page 28 onwards.



	M-ribbed	L-ribbed	panel
Woodgrain	Traffic white RAL 9016 15 preferred colours RAL to choose	Traffic white RAL 9016 15 preferred colours RAL to choose	Traffic white RAL 9016 15 preferred colours RAL to choose
Sandgrain	Traffic white RAL 9016 3 preferred colours	Traffic white RAL 9016 3 preferred colours	
Silkgrain	Traffic white RAL 9016 15 preferred colours RAL to choose	Traffic white RAL 9016 15 preferred colours RAL to choose	
Decograin*	3 decors	3 decors	2 decors**
Max. width	6500 mm	6500 mm	6500 mm
Max. height	3000 mm	3000 mm	3000 mm

\* L-ribbed with design elements not available with Decograin surface

\*\* Not available in Titan Metallic CH 703



### Performance characteristics according to European standard 13241-1

#### Thermal insulation

Section	U = 0.5 W/(m <sup>2</sup> ·K)
Fitted door*	U = 1.9 W/(m <sup>2</sup> ·K)

#### Sealing

Air	Class 0
Water	Class 0

Wind load	Class 3
-----------	---------

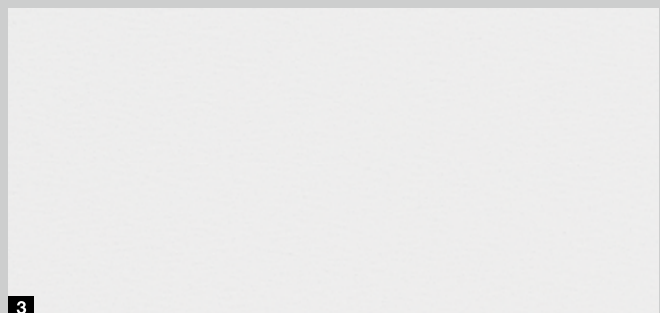
\* The U-value applies to fitted doors without glazing with the dimensions: 5000 x 2125 mm

## OVERVIEW STEEL SURFACE FINISH

## It's your choice

Design your garage door to exactly fit your needs. You can choose from up to 4 surfaces that you can adapt to match the colour of your home. Additionally, you can choose from 15 equally-priced preferred colours, approx. 200 RAL colours and 3 Decograin decors. The door surfaces are optimally protected against rust allowing you to enjoy your new door for a long time. Rain runs off without leaving any streaky marks thanks to the use of hot-galvanized material and a high-quality polyester-primer coating on both sides.

### Steel surface finishes



**Please note:**

Side sliding sectional doors are generally supplied in Grey white, RAL 9002, on the interior of the door.

Dark colours should not be used for double-skinned steel doors that are exposed to the sun, as possible section deflection may restrict the door's function.

All colours based on RAL. The colours and surfaces shown are subject to the limitations of the printing process and cannot be regarded as binding. Please seek the expert advice of your Hörmann specialist dealer.

## 1 Woodgrain

On this inexpensive, robust Woodgrain surface with an authentic sawn timber look, minor scratches can be easily repaired by working with the texture.

## 2 Sandgrain

The finely structured Sandgrain surface is an ideal choice for price-conscious owners and is particularly suited for modern homes.

## 3 Silkgrain

Thanks to its elegant door appearance, the silky smooth Silkgrain surface finish is the first choice for modern architecture.

## 4 Decograin

The Decograin surface gives your sectional door a striking and authentic timber look or an elegant metallic appearance in Anthracite.

## Standard colour

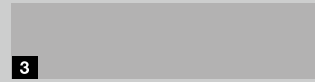


1

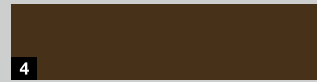
## 15 preferred colours



2



3



4



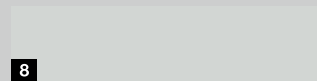
5



6



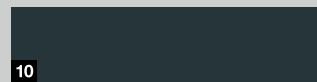
7



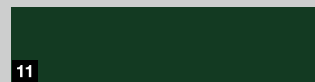
8



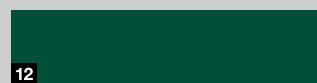
9



10



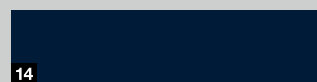
11



12



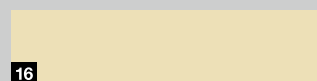
13



14

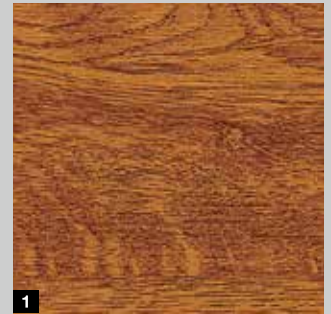


15



16

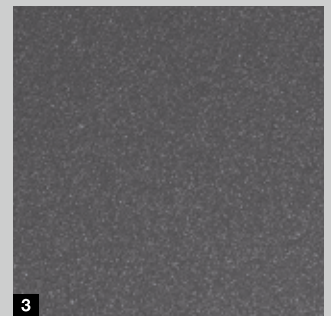
## 3 Decograin decors



1



2



3

1	RAL 9016	Traffic white
2	RAL 9007	Grey aluminium
3	RAL 9006	White aluminium *
4	RAL 8028	Terra brown *
5	RAL 8003	Clay brown
6	RAL 8001	Ochre brown
7	RAL 7040	Window grey
8	RAL 7035	Light grey
9	RAL 7030	Stone grey
10	RAL 7016	Anthracite grey *
11	RAL 6009	Fir green
12	RAL 6005	Moss green
13	RAL 5014	Pigeon blue
14	RAL 5011	Steel blue
15	RAL 3003	Ruby red
16	RAL 1015	Light ivory

1	Decograin Golden Oak: medium brown, golden yellow oak design
2	Decograin Dark Oak: walnut-coloured oak decor
3	Titan Metallic CH 703: Anthracite with a metallic effect

\* Preferred colours for Sandgrain surface finish

## The elegance of side sliding sectional doors

Create your dream door choosing from seven door styles, ranging from the classic panelled look, elegant M- and L-ribbings, to exclusive designs with glazings and stainless steel embellishments. Thanks to the wide range of surfaces, colours, and decors, you can perfectly match your side sliding sectional door to the architectural style of your home.





# THE ELEGANCE OF SIDE SLIDING SECTIONAL DOORS



▲ L-ribbed, style 461, Hörmann colour CH 703

▶ M-ribbed in Traffic white RAL 9016







◀ Panelled in Decograin Golden Oak





## Automatic wicket door function for doors with operators

Using a hand transmitter or the handle on the door, you can partially open your side sliding sectional door to allow pedestrians to pass. A brief actuation of the handle and the door automatically moves into the set position. Actuating the handle again closes the door. You can easily adjust the clear passage width with the operator. For example, a narrow passage for persons or a wider passage for bikes, motorcycles or wheelbarrows.



### Integrated lockable handle with full radio internal push button functions

Two buttons and a sliding switch on the interior side of the handle allow you to:

- 1 Completely open and close the door
- 2 Operate the wicket door function
- 3 Switch off the radio signal (away setting)



White aluminium RAL 9006



Traffic white RAL 9016



Brown



Brushed stainless steel

### 4 handle colours

Manually operated doors are supplied as standard with a handle in White aluminium. Three other colours are optionally available. The same versions are also available for automatic doors with automatic wicket door function.



Standard door handle position for M-ribbed and L-ribbed



Door handle position for intermediate width for M-ribbed and L-ribbed



Door handle position for panels



Glazing S0



Glazing S1



Glazing S2

### 3 glazings

The glazings for the top door area are available with a synthetic double pane, either clear or crystal structure. The frames are white as standard and can optionally be delivered in the colour of the door or in RAL to choose.



Ventilation grilles  
Ventilation cross section  
40 cm<sup>2</sup>/grille

### Ventilation grilles

The ventilation grilles in the bottom part of the door are available in black as standard, and optionally in the colour of the door or in RAL to choose.

## GARAGE DOOR OPERATORS

# Reliable, secure, 100 % compatible

Hörmann garage door operators are perfectly matched to your Hörmann side sliding sectional door. The result: simple operation, maximum convenience and the greatest operational safety. Using our elegant hand transmitters you can conveniently and safely operate your garage door as well as an entrance gate equipped with a fully compatible Hörmann operator or other devices, such as lamps. It goes without saying that our extensive Hörmann programme offers the right operator and accessories for your wishes and needs.



More information can be found in the Garage Door and Entrance Gate Operators brochure.





## GARAGE DOOR OPERATORS

# SupraMatic

## The supra-fast operator with many additional functions



- As standard with 5-button hand transmitter HS 5 BS and 4-button hand transmitter HSE 4 BS
- Inquiry of the door position
- Low power consumption
- Easy to program
- 2 x 7-segment display
- Halogen lighting can be switched on / off separately
- Adjustable wicket door opening
- Operator cover made of brushed aluminium
- Automatic door locking
- Double automatic safety cut-out in the Open and Close directions



HS 5 BS black textured surface with chrome caps



HSE 4 BS textured black with plastic caps

	SupraMatic E
Special feature	
Equipment	
Pull and push force	650 N
Peak force	800 N
Max. opening speed	12 – 18 cm/s
Max. door width	6500 mm
Max. door surface	15 m <sup>2</sup>

# ProMatic

The inexpensive starter model as an introduction to Hörmann's premium quality



- As standard with two 4-button hand transmitters HSE 4 BS
- Adjustable wicket door opening
- Automatic door locking
- Double automatic safety cut-out in the Open and Close directions



HSE 4 BS textured black with plastic caps

	ProMatic
Special feature	
Pull and push force	600 N
Peak force	750 N
Max. opening speed	8 – 10 cm/s
Max. door width	3000 mm
Max. door surface	9 m <sup>2</sup>

\* The complete warranty conditions can be found at: [www.hormann.co.uk](http://www.hormann.co.uk)

## ACCESSORIES

**Hand transmitter HS 5 BS**

4 button functions  
plus query button,

1 High-gloss surface black  
or white

2 Textured surface black

**Hand transmitter HS 4 BS**

4 button functions,

3 Textured surface black

■ **NEW**

**Hand transmitter HS 1 BS**

1 button function,

4 Textured surface black

■ **NEW**

**Hand transmitter HSE 1 BS**

1 button function,

incl. eyelet for key ring

5 Textured surface black

■ **NEW**

**Hand transmitter HSE 4 BS**

■ **NEW**

4 button functions,

incl. eyelet for key ring

6 Textured surface black

with chrome or plastic caps

**Hand transmitter HSE 2 BS**

2 button functions,

incl. eyelet for key ring

7 High-gloss surface black

or white

8 High-gloss surface green,

purple, yellow, red, orange

9 Decor in silver, carbon,

dark rootwood

(Shown from left)





**10 Hand transmitter HSD 2-A BS**

Aluminium look,  
2 button functions,  
can also be used as a key ring

**11 Hand transmitter HSD 2-C BS**

High-gloss chrome,  
2 button functions,  
can also be used as a key ring

**16 Radio code switch FCT 3 BS**

For 3 functions,  
with illuminated buttons

**17 Radio code switch FCT 10 BS**

For 10 functions,  
with illuminated buttons  
and protective cover

**12 Hand transmitter HSP 4 BS**

4 button functions,  
with button lock-out,  
incl. key ring

**18 Radio finger scan FFL 12 BS**

For 2 functions  
and up to 12 fingerprints

**13 Hand transmitter HSZ 1 BS**

1 button function,  
for insertion in vehicle  
cigarette lighter

**14 Hand transmitter HSZ 2 BS**

2 button functions,  
for insertion in vehicle  
cigarette lighter

**15 Radio internal push button FIT 2**

For 2 functions  
or 2 operators

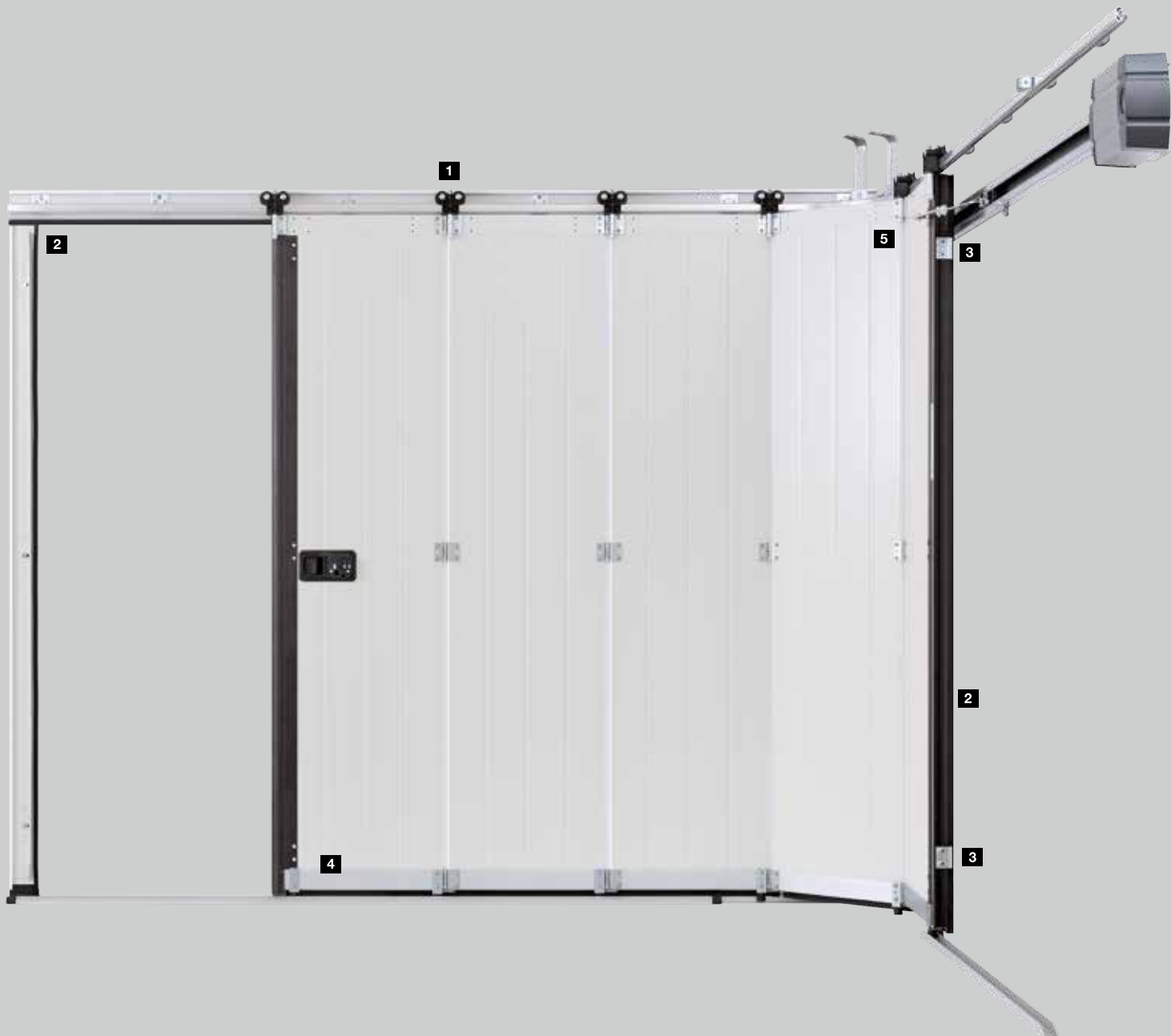
**Key switch****19 STUP 40****20 STAP 40**

In a recessed version  
and surface-mounted version,  
including 3 keys

## TECHNOLOGY

## Details perfectly matched to each other

The Hörmann side sliding sectional door combines several innovative details – starting with the precise door travel and the secure locking to the special design of the floor rail. Hence this door solution offers you more convenience and security every day.





### Precise door travel

Twin rollers **1** made of wear-resistant plastic move reliably and precisely on the aluminium rail and prevent the door sections from jumping out. Additionally, they ensure smooth and easy door travel, meaning it is a breeze to operate the door by hand as well. Stable connecting hinges on the rollers and between the PU-foamed 42-mm-thick sections ensure good door leaf stability.



### Well-sealed

Flexible and weather-resistant seals **2** on the sides and in the lintel area of the door frame, as well as between the individual door sections and at the bottom edge provide for good door sealing. The side seal optimally fills the door gap with a large-sized profile lip.



### Securely locked

The bottom and top door guides close the door precisely. Two additional hooks **3** on the sides of the door connect the end of the door leaf tightly with the side section. In addition, this mechanical lock prevents the door from being pushed open. To improve break-in resistance, manually operated doors can be optionally equipped with 3-point locking at the closing edge.



### Well-guided

The bottom aluminium floor rail **4** reliably guides the door sections and prevents the sections from swivelling out. A flat design of only 25 mm makes it easy to drive in and out. It is easy to clean out dirt and leaves from the rail, as it is open on the ends.

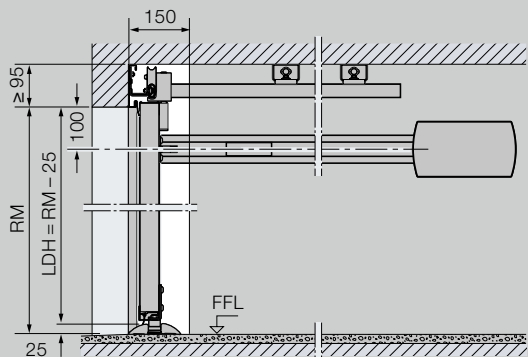


### Easy fitting

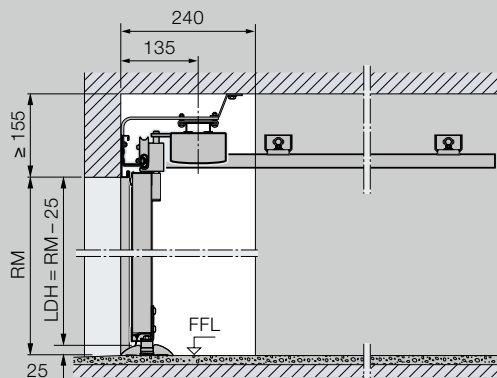
The frame of the side sliding sectional door is easy to screw together and can subsequently be fastened completely to the garage wall. Fitting in tight areas with only 140 to 450 mm sideroom is made possible with the DS track application **5** with double side guide rails.

MEASUREMENTS AND FITTING DATA

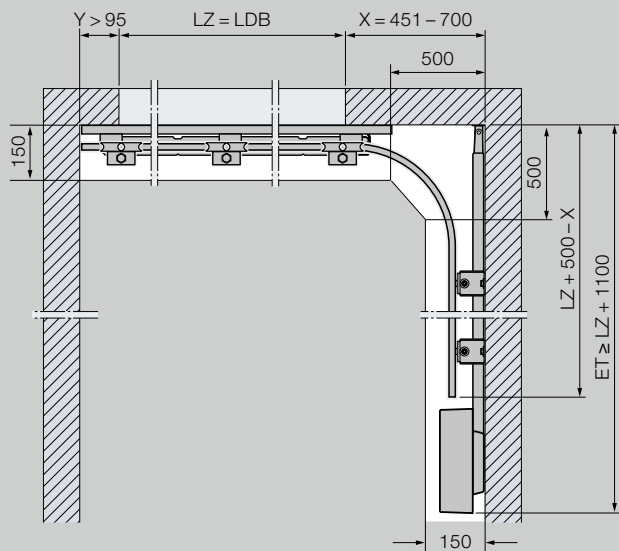
Fitting dimensions (operator wall fitting)



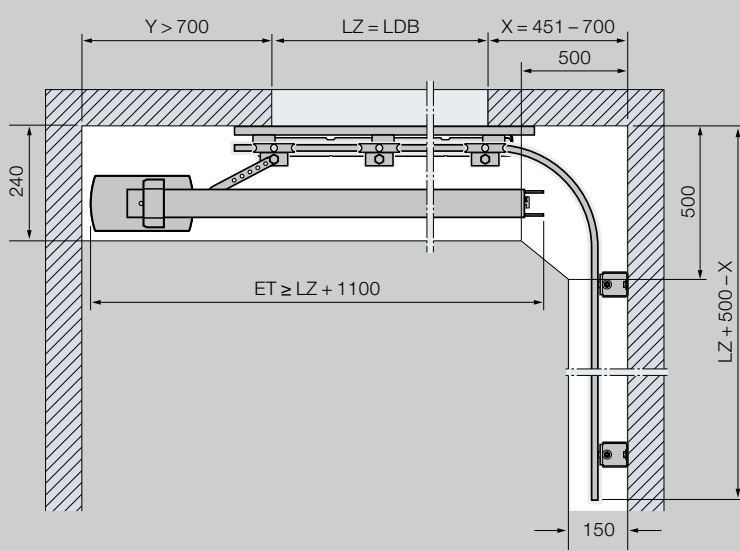
Fitting dimensions (operator ceiling fitting)



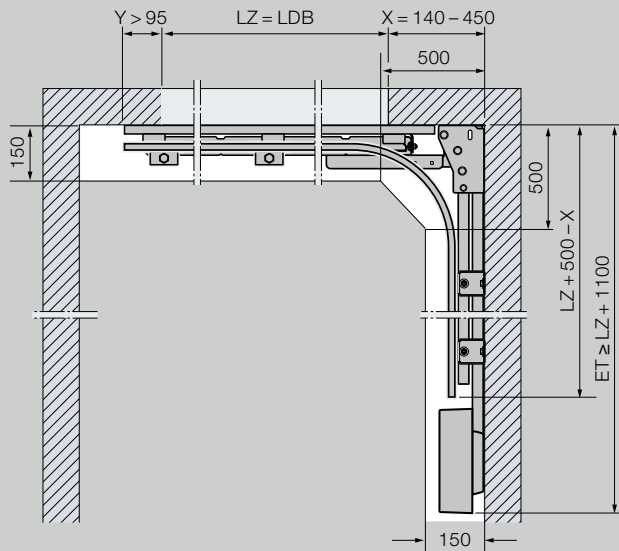
ES track application (single track) – operator wall fitting



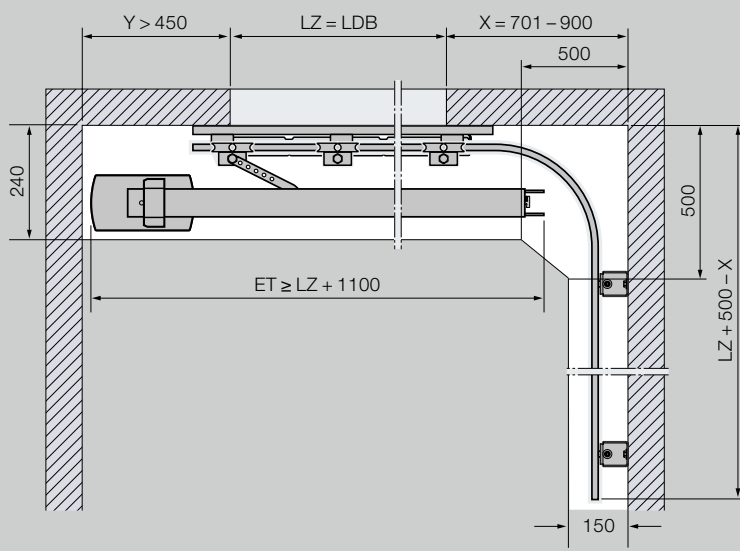
ES track application (single track) operator ceiling fitting A



DS track application (double track) – operator wall fitting



ES track application (single track) operator ceiling fitting B



Determination of operator boom  
(ES and DS track application)

Door width (LZ)	Operator boom	Distance back (overall length of operator SupraMatic / ProMatic)
≤ 2205	K	3200
≤ 2375	M	3450
≤ 3000	L	4125
≤ 3275	XL	4375
≤ 4750	5500	5725
≤ 6500	7000	7225

The distance back (overall length of operator) can be shortened on-site up to LZ + 1100 mm.

The side guide can be set back up to 125 mm if the distance back (overall length of operator) is smaller than LZ + 1100 mm.

Explanations

- RM Grid height (ordering size)
- LZ Clear frame dimensions (ordering size)
- LDH Clear passage height
- LDB Clear passage width
- ET Distance back (overall length with operator)
- FFL Finished floor level
- X Space requirement on curve side
- y Space requirement on stop side

For further information, please see the fitting data or contact your Hörmann partner.

Size range (max.)

Door height grid (RM)	Door width grid (LZ)																									
	2000	2080	2125	2205	2250	2375	2500	2625	2750	2875	3000	3125	3275	3500	3750	4000	4250	4500	4750	5000	5250	5500	5700	6000	6300	6500
3000																										
2875																										
2750																										
2625																										
2500																										
2375																										
2250																										
2205																										
2125																										
2080																										
2000																										
1875																										
	4	4	4	4	4	5	5	5	5	6	6	7	7	8	8	8	9	10	10	10	11	12	12	12	13	
	No. of sections																									

Intermediate widths are also available for M-ribbed and L-ribbed doors.

Sandgrain, Silkgrain, Decograin surface finishes:  
not available in widths 2625, 2875, 5250, 6300

Panelled, Decograin:  
not available in widths 2080, 2205, 2625, 2750, 2875, 5250, 6300



# Experience Hörmann quality in new construction and modernisation

Hörmann provides an excellent basis for comprehensive planning. Carefully matched solutions offer you the very best in perfectly designed products for every area.

- **Garage doors**

Optimally match your personal architectural style: up-and-over or sectional doors made of steel or timber.

- **Door operators**

Enjoy extra convenience and break-in-resistant security with Hörmann operators for garage doors and entrance gates. You can profit from the convenience of Hörmann door operators in your residential space as well.

- **Entrance doors**

Our comprehensive entrance door ranges include models that fit almost every need and requirement.

- **Steel doors**

Sturdy doors for your entire home, from basement to roof.

- **Frames**

Choose from our comprehensive range of products for new construction, expansion and modernisation.



Garage doors and entrance gate operators



ThermoPro entrance door



Steel doors