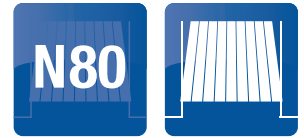


Up-and-over garage doors N 80

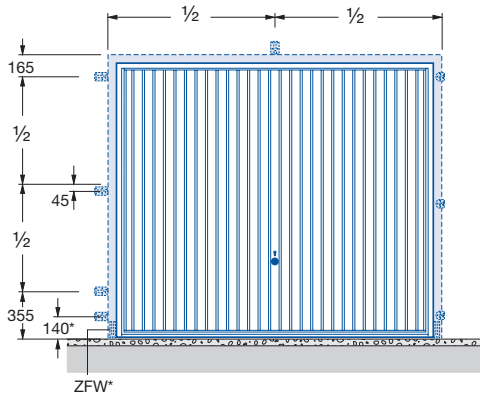
With steel and timber infills

Fitting dimensions



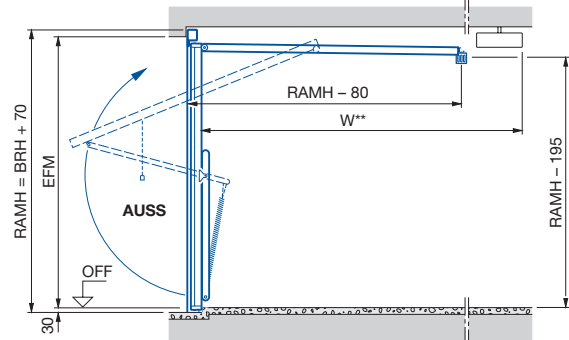
Subject to changes

Position of anchors



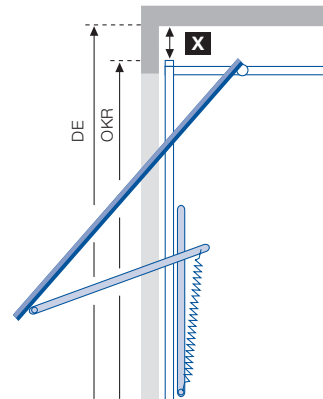
* For doors without threshold.

Up-and-over doors with operator



** Total length for door operators:
 3200 mm up to door height 2500 mm ProMatic / SupraMatic
 3450 mm up to door height 2750 mm ProMatic / SupraMatic

Required space



X	N 80 styles 905, 941 or up-and-over doors with timber infill	15 mm
All other N 80 styles do not require any additional space.		

AUSS	Exterior
BMB	Ordering size width
BMH	Ordering size height
BRB	Nominal width
BRH	Nominal height
DE	Ceiling height
EBB	Fitting area width
EBH	Fitting area height

EFM	Recommended structural dimension
LF	Structural opening
GIM	Inside garage dimension
LDB	Clear passage width
LDH	Clear passage height
OFF	Finished floor level
OKR	Top edge of frame
RAMB	Overall frame width

RAMH	Overall frame dimension height
S	Required headroom
W	Total distance back of operator boom including operator head
ZFW	Frame shoe bracket

Up-and-over garage doors N 80

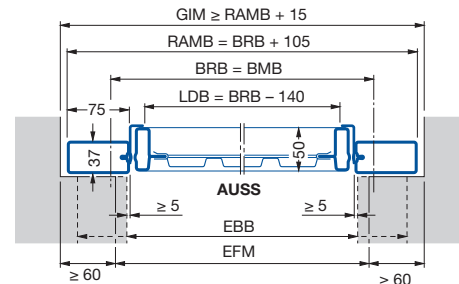
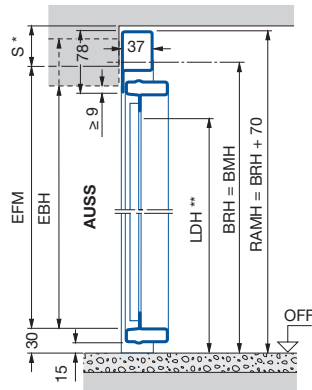
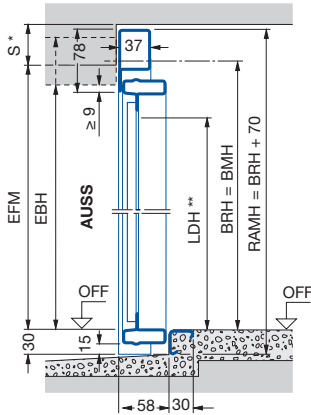
With steel and timber infills

Fitting dimensions



Subject to change

Fitting behind the opening



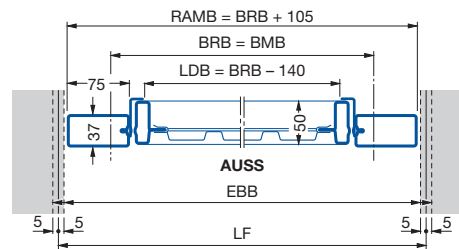
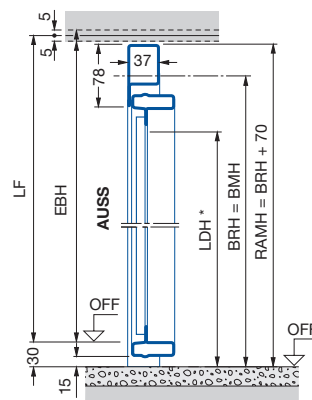
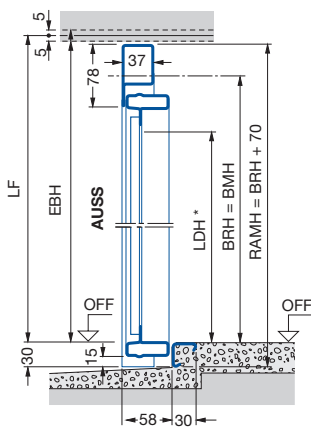
With threshold

Without threshold

* Required headroom for N 80 up-and-over doors min. 50 mm. See drawing on page 114 for necessary spaces.

** LDH = BRH - 120 mm for up-and-over door with threshold, LDH = BRH - 90 mm for up-and-over door without threshold. Style 905 LDH = BRH - 135 mm for up-and-over door with threshold, style 905 LDH = BRH - 105 mm for up-and-over door without threshold.

Fitting in the opening



With threshold

Without threshold

* LDH = BRH - 120 mm for up-and-over door with threshold, LDH = BRH - 90 mm for up-and-over door without threshold. Style 905 LDH = BRH - 135 mm for up-and-over door with threshold, style 905 LDH = BRH - 105 mm for up-and-over door without threshold.