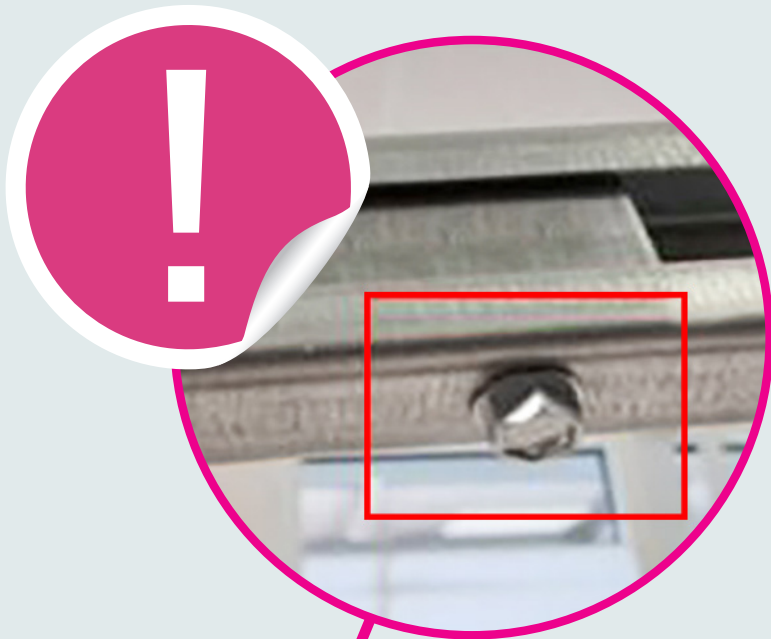


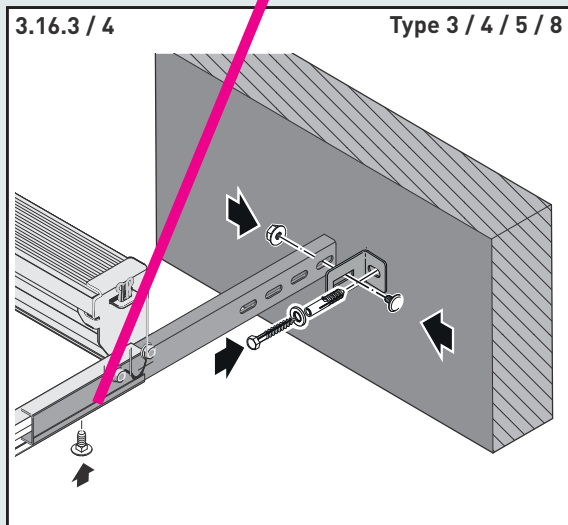
APRIL 2026



NEW!

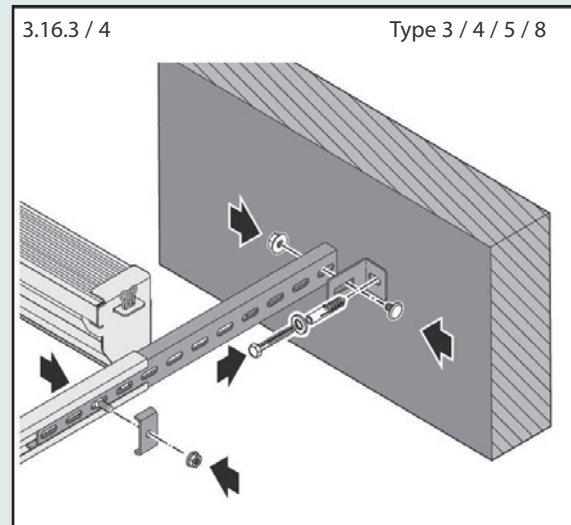
To make it easier to secure the telescopic strut when installing a sectional garage door, we're implementing a new self-tapping screw instead of the clamp bracket - It's easier and quicker! **Whilst we transition to the new strut, you may encounter both variations. Below is how to fit either iteration:**

NEW telescopic strut instructions:



- In order to stabilise the door on the sides, it is necessary to use a wall strut.
- The distance of the holes must be as large as possible.
- ⇒ Fasten the mounting bracket to the telescopic strut.
- ⇒ Adjust the distance to the wall with the telescopic function.
- ⇒ Fasten the mounting bracket to the wall and secure the telescopic strut with a self tapping screw.

Original telescopic strut instructions:



- In order to stabilise the door on the sides, it is necessary to use a wall strut.
- The distance of the holes must be as large as possible.
- ⇒ Fasten the mounting bracket to the telescopic strut.
- ⇒ Adjust the distance to the wall with the telescopic function.
- ⇒ Fasten the mounting bracket to the wall and secure the telescopic strut with the nut and bolt through the clamping bracket.