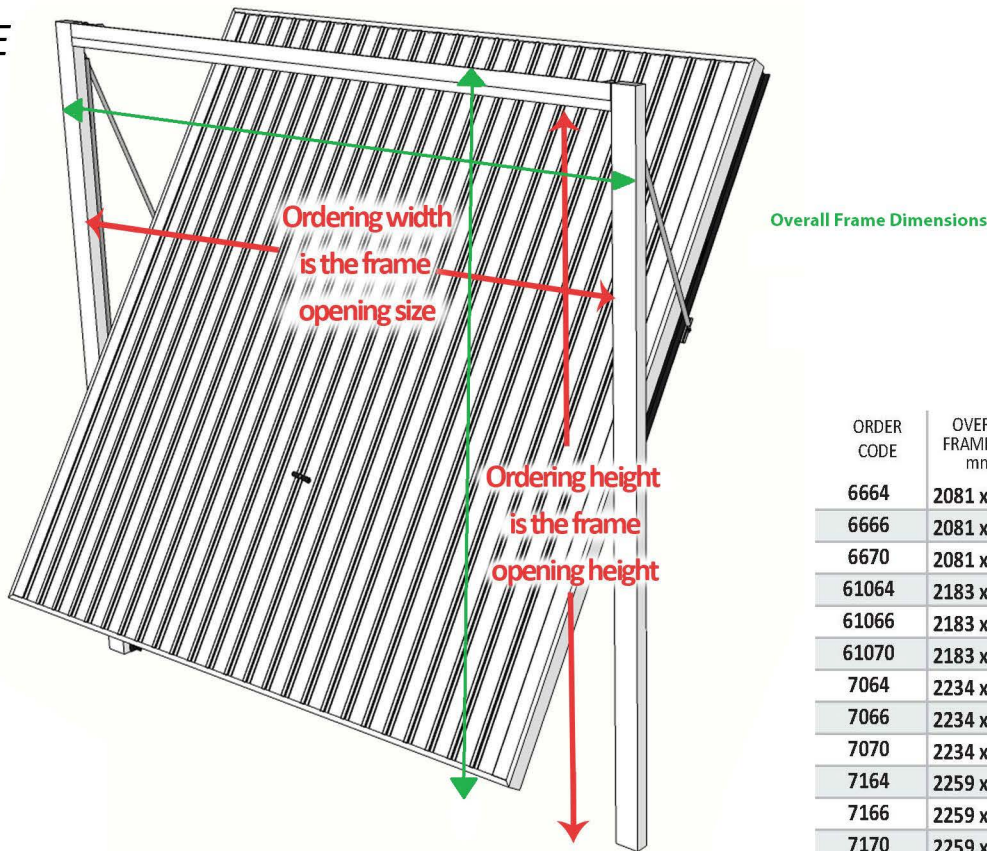


GDO Standard Size Up and Over Garage Door

With Canopy Operating Gear

**OUTSIDE
VIEW**



ORDER CODE	OVERALL FRAME SIZE mm	ORDER CODE	OVERALL FRAME SIZE mm
6664	2081 x 1980	7564	2359 x 1980
6666	2081 x 2031	7566	2359 x 2031
6670	2081 x 2184	7570	2359 x 2184
61064	2183 x 1980	7664	2386 x 1980
61066	2183 x 2031	7666	2386 x 2031
61070	2183 x 2184	7670	2386 x 2184
7064	2234 x 1980	8064	2538 x 1980
7066	2234 x 2031	8066	2538 x 2031
7070	2234 x 2184	8070	2538 x 2184
7164	2259 x 1980	9064	2844 x 1980
7166	2259 x 2031	9066	2844 x 2031
7170	2259 x 2184	9070	2844 x 2184

**INSIDE
VIEW**

Steel headframe is 50mm
Steel Frame legs are 50mm
wide each side



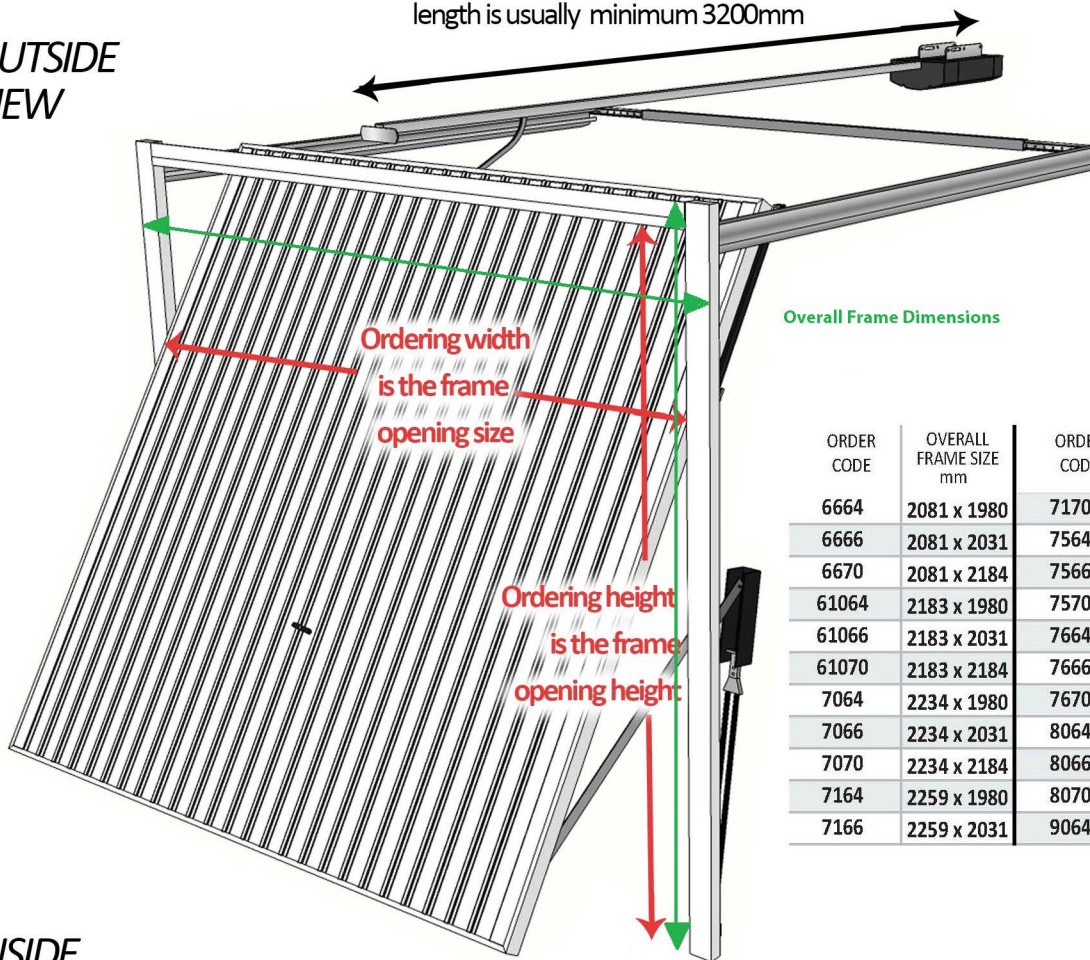
Timber Sub frames
If you have an existing
timber frame or fit a new
one, the internal dimensions
of the frame are the door
order sizes

GDO Standard Size Up and Over Garage Door

With Retractable Operating Gear

Total electric operator length is usually minimum 3200mm

OUTSIDE VIEW



Overall Frame Dimensions

ORDER CODE	OVERALL FRAME SIZE mm	ORDER CODE	OVERALL FRAME SIZE mm	ORDER CODE	OVERALL FRAME SIZE mm
6664	2081 x 1980	7170	2259 x 2184	9066	2844 x 2031
6666	2081 x 2031	7564	2359 x 1980	9070	2844 x 2184
6670	2081 x 2184	7566	2359 x 2031	1066	3148 x 2031
61064	2183 x 1980	7570	2359 x 2184	1070	3148 x 2184
61066	2183 x 2031	7664	2386 x 1980	1166	3474 x 2041
61070	2183 x 2184	7666	2386 x 2031	1170	3474 x 2194
7064	2234 x 1980	7670	2386 x 2184	1266	3757 x 2031
7066	2234 x 2031	8064	2538 x 1980	1270	3757 x 2184
7070	2234 x 2184	8066	2538 x 2031	1366	4084 x 2041
7164	2259 x 1980	8070	2538 x 2184	1370	4084 x 2194
7166	2259 x 2031	9064	2844 x 1980	1466	4367 x 2031
				1470	4367 x 2184

INSIDE VIEW

Optional steel subframe is factory fitted on all single doors. Always check overall dimensions



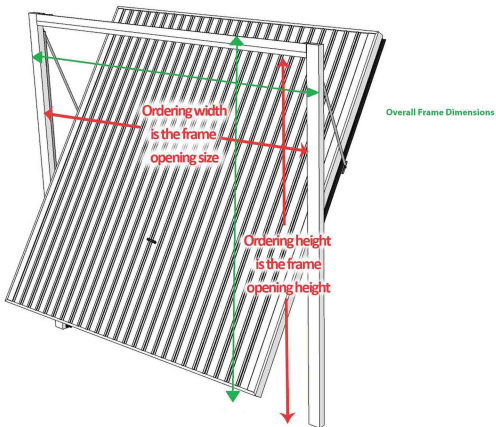
Timber Sub frames

If you have an existing timber frame or fit a new one, the internal dimensions of the frame are the door order sizes

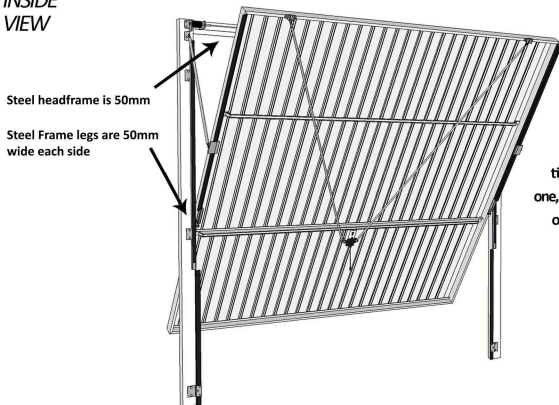
GDO Purpose Made Steel Up and Over Garage Door

With Canopy Operating Gear

OUTSIDE VIEW



INSIDE VIEW



Timber Sub frames

If you have an existing timber frame or fit a new one, the internal dimensions of the frame are the door order sizes

GDO Purpose Made Steel Up and Over Garage Door

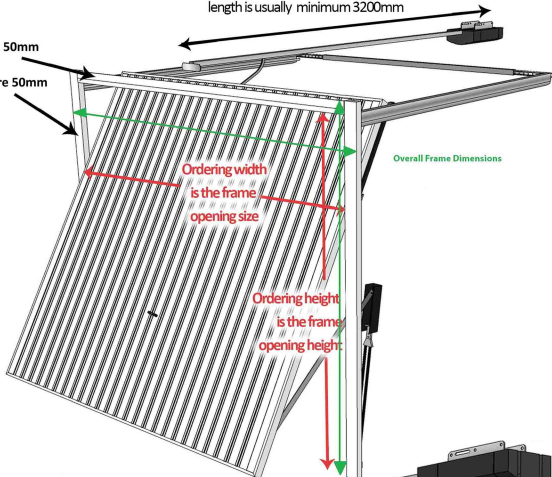
With Retractable Operating Gear

OUTSIDE VIEW

Steel headframe is 50mm

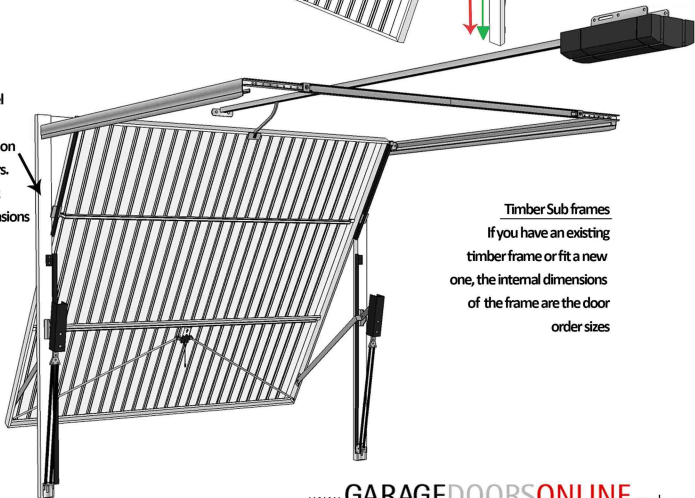
Steel Frame legs are 50mm wide each side

Total electric operator length is usually minimum 3200mm



INSIDE VIEW

Optional steel subframe is factory fitted on all single doors. Always check overall dimensions



Timber Sub frames

If you have an existing timber frame or fit a new one, the internal dimensions of the frame are the door order sizes