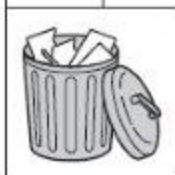
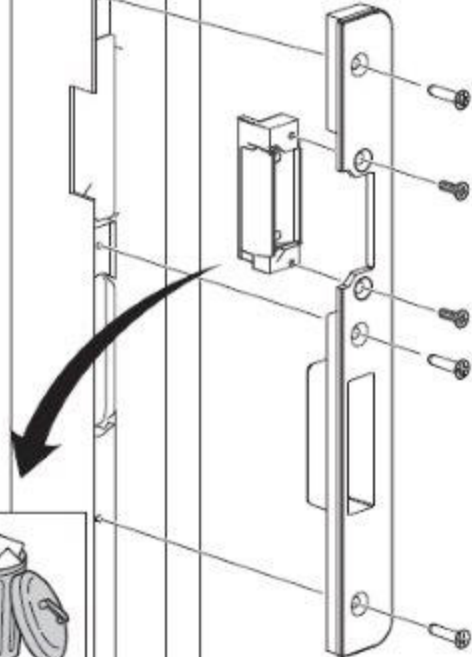
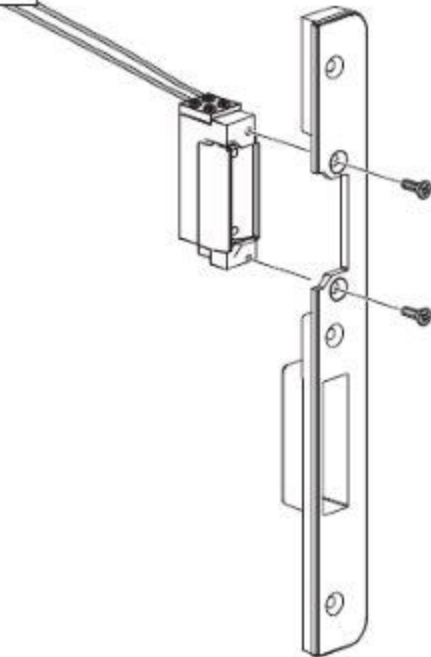
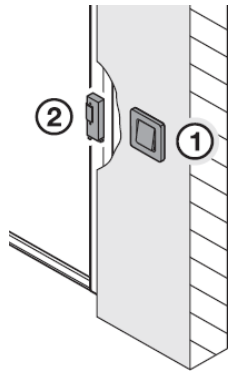


1



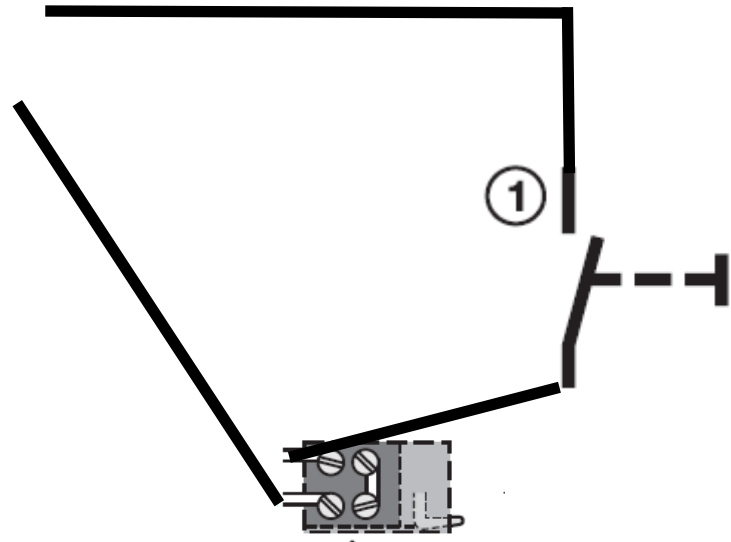
2



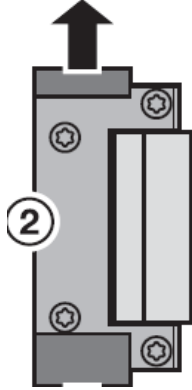


Basic layout for an electric strike, please check strike for power requirements

Power Supply



Switch / activating device



Electric Strike